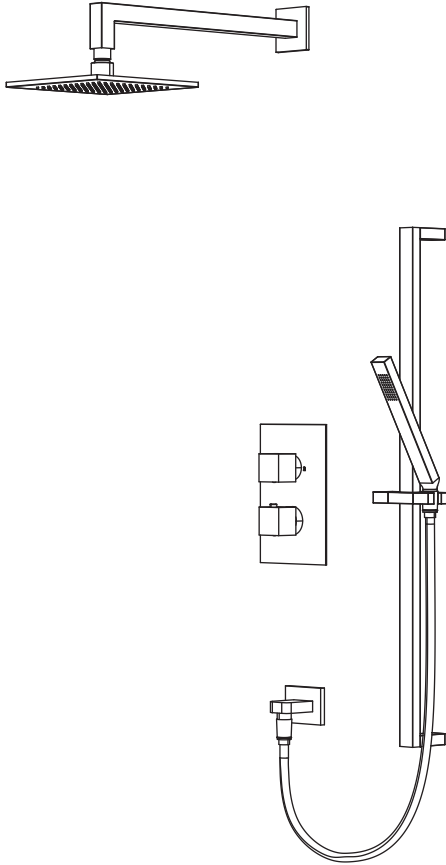


160.7100 | Two Output Shower W/ Rain Head, Hand Held & Slide Bar



COMPONENTS

- HS1011SA - 16" Shower Arm
- HS1001A - 8" Shower Head
- 160.4000T - Shower Trim
- TVH.4420F - Shower Valve
- HS1006H - Hand Held
- 160.5505 - Wall Elbow
- SP.150EM - 1.5m Hose
- 100.601003A - Slide Bar

SHOWER VALVE:

- Thermostatic shower valve
- Valve includes service stops
- Turn bottom handle to set temp.
- Top handle controls water diversion
- No shared ports

SHOWER HEAD:

- Solid brass construction
- 1.8 GPM flow rate

HAND HELD W/ SLIDE BAR & ELBOW:

- Solid Brass construction
- Hand held flow rate = 1.8 GPM
- 1/2" female NPT elbow connection
- With back flow prevention check valve

STANDARDS:

- ASME A112.18.1 / CSA B125.1

See individual component specification sheets on following pages for further details.



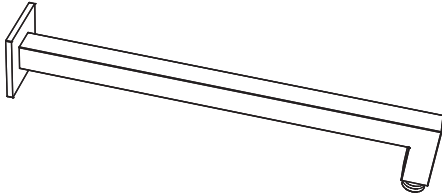
HS1011SA | Square Shower Arm - 400mm - 16"

SPECIFICATIONS:

- Solid Brass Shower Arm
- With Sliding Flange

FAST SHIP FINISHES :

- Chrome - HS1011SACP / Brushed Nickel - HS1011SABN



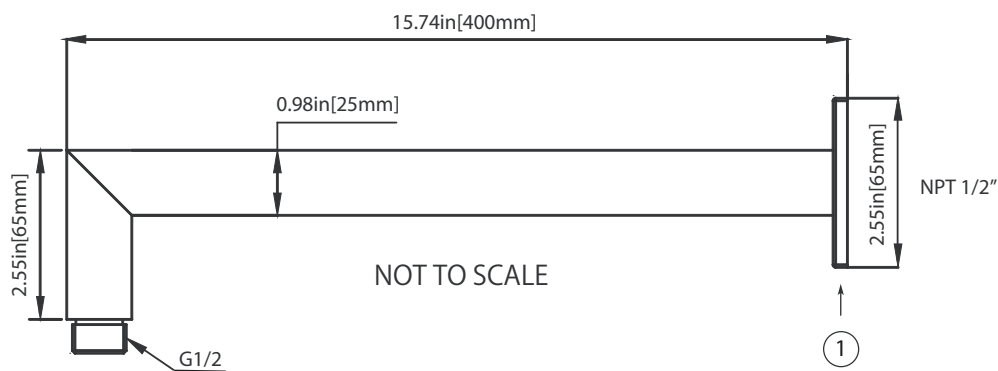
Legislation Compliance



ZeroDrip Technology



Technical Diagram



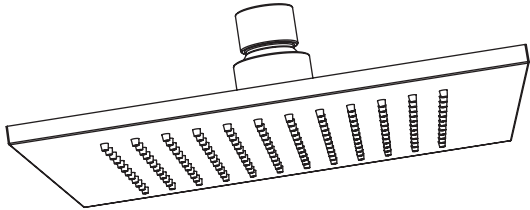
Part Number Guide:

- ① Flange - HS1001SA-1253CP - Chrome
HS1001SA-1253BN - Brushed Nickel

HS1001A | 8" Brass Shower Head

SPECIFICATIONS:

- Solid Brass Shower Head
- Scrub rubber nozzles to easily clean water sediment
- 1.8 GPM Flow Rate



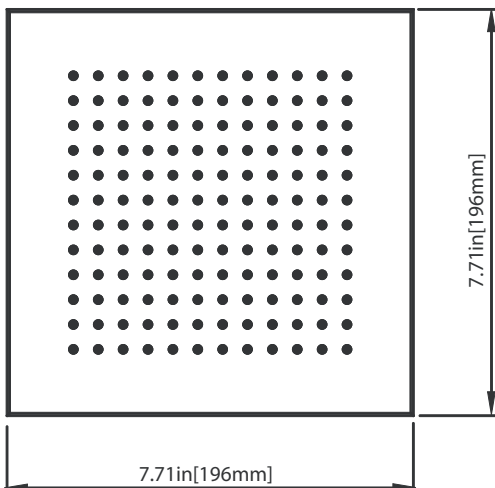
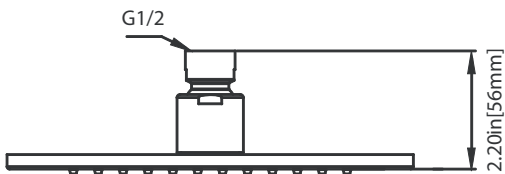
Legislation Compliance



ZeroDrip Technology

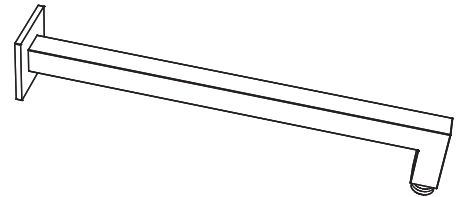


Technical Diagram

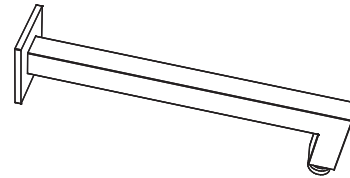


MATCHING SHOWER ARMS:

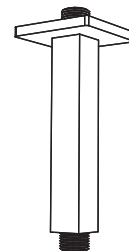
1) HS1011SA (16" Wall Mount Shower Arm)



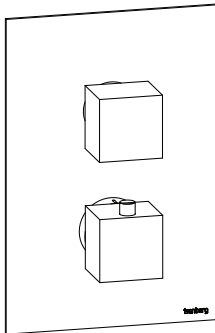
2) HS1001SA (12" Wall Mount Shower Arm)



3) 160.6CSA (6" Ceiling Mount Shower Arm)



160.4000T | Thermostatic Shower Trim



SPECIFICATIONS:

- Solid Brass construction
- Valve not included - trim only
- Turn bottom handle to control temperature.
- Turn top handle to divert water & control volume

CALGreen Compliant



Belgian Mirror Finish



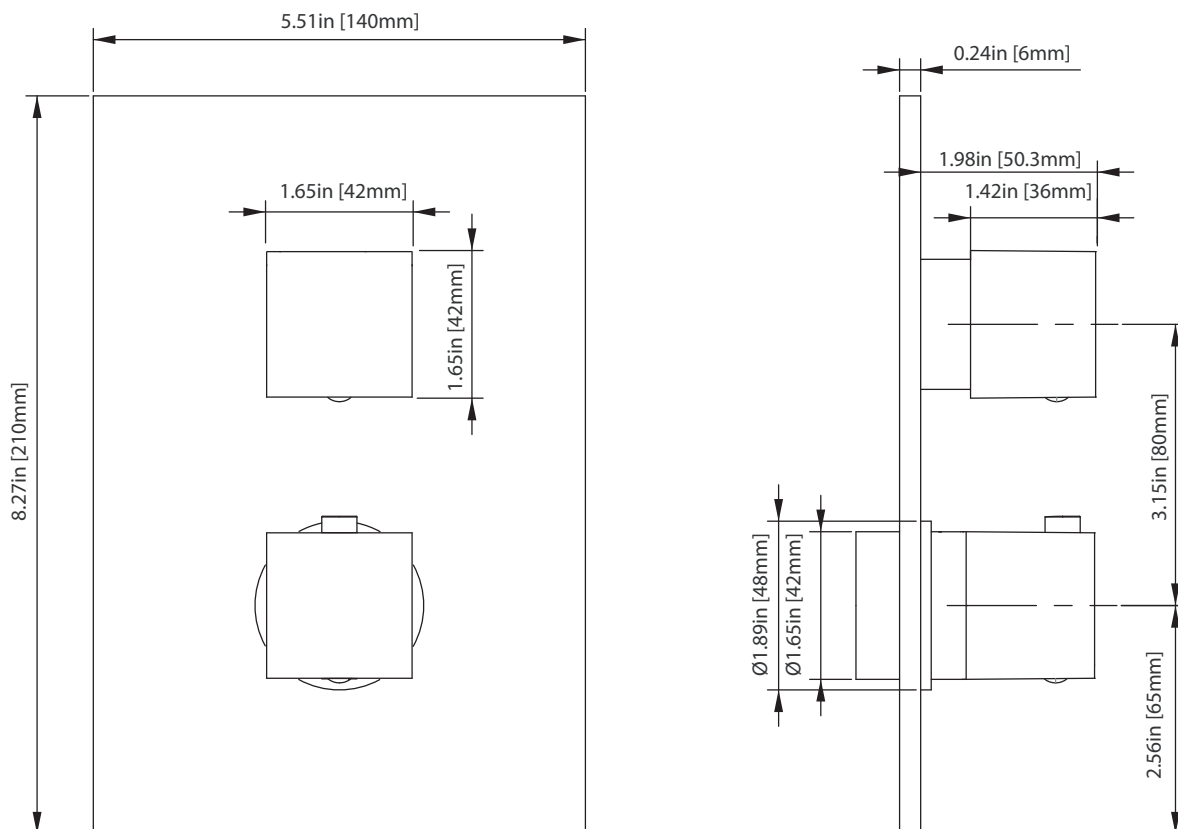
Legislation Compliance



ZeroDrip Technology



Technical Diagram





TVH.4420F | 3/4" Thermostatic Valve With 2-Way Diverter & Integrated Volume Control Page 1 of 2

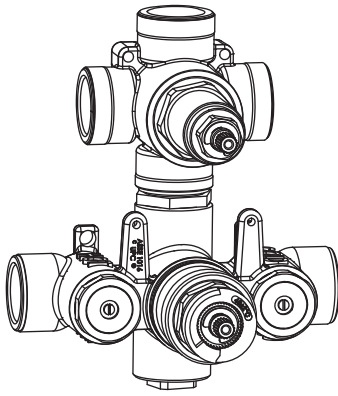
SPECIFICATIONS:

- Turn bottom knob to control temperature.
- Turn top knob to control water flow.
- Thermostatic Valve Flow Rate - 13.0 GPM @ 60 PSI

STANDARDS:

- ASME A112.18.1 / CSA B125.1

!
A separate volume control is not needed to turn water supply off. Volume control functionality is integrated within this valve.



CALGreen Compliant



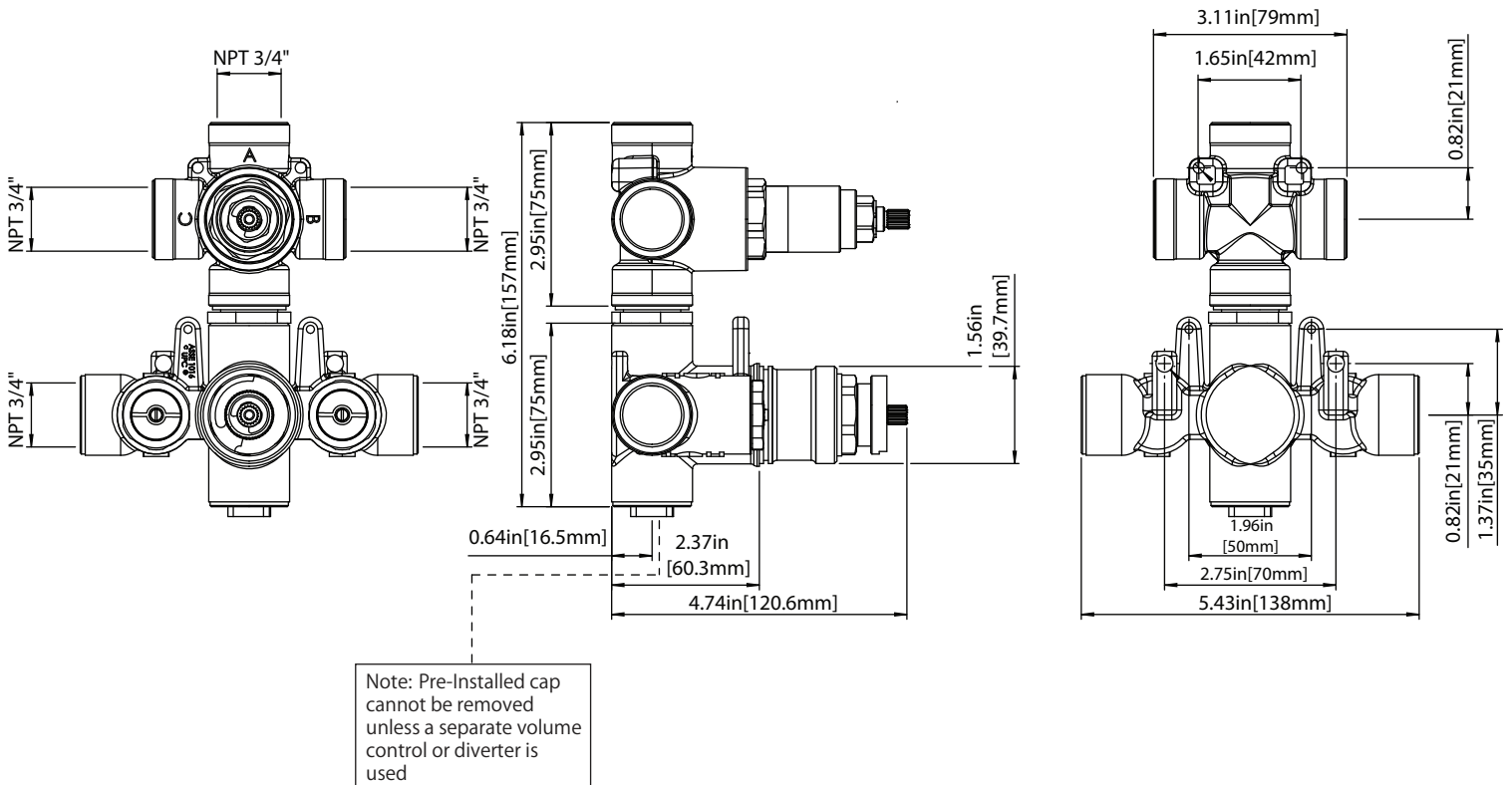
Legislation Compliance



ZeroDrip Technology



Technical Diagram



TVH.4420F | 3/4" Thermostatic Valve With 2-Way Diverter & Integrated
Volume Control Page 2 of 2



TWO OUPTUT - CAL-GREEN - NO SHARED PORT OPERATION

Diverter Cartridge # - 15109 (Included)

Total 3 Positions as defined below, with only 1 port active at one time.

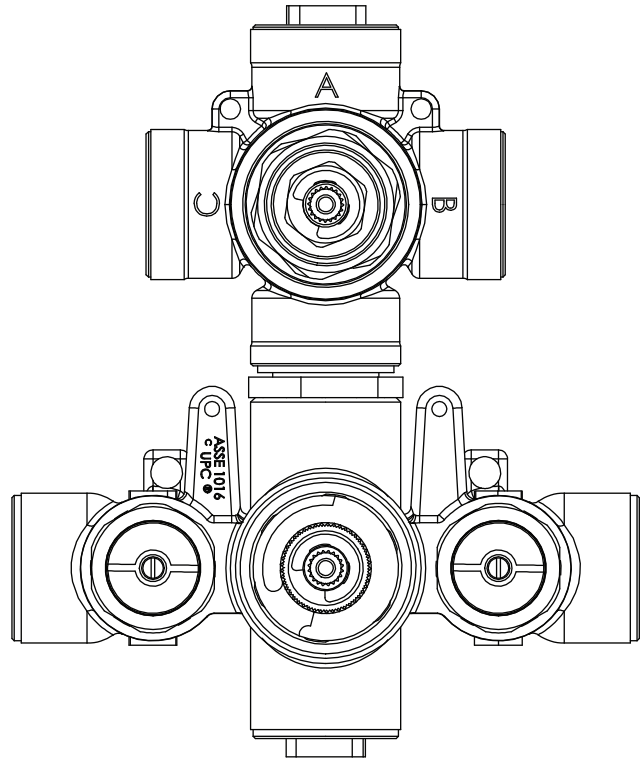
- Position 0 - Off - No Water Flow
- Position 1 - Output A Activated
- Position 2 - Output C Activated

TWO OUPTUT - SHARED PORT OPERATION

Diverter Cartridge # - 15103 (Not Included)

Total 4 Positions as defined below, with 2 ports active at one time.

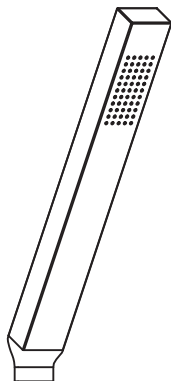
- Position 0 - Off - No Water Flow
- Position 1 - Output B Activated
- Position 2 - Output B+C Activated
- Position 3 - Output C Activated



HS1006H | Solid Brass Hand Shower

SPECIFICATIONS:

- Solid Brass Construction
- 1.8 GPM Flow Rate
- With back flow prevention check valve



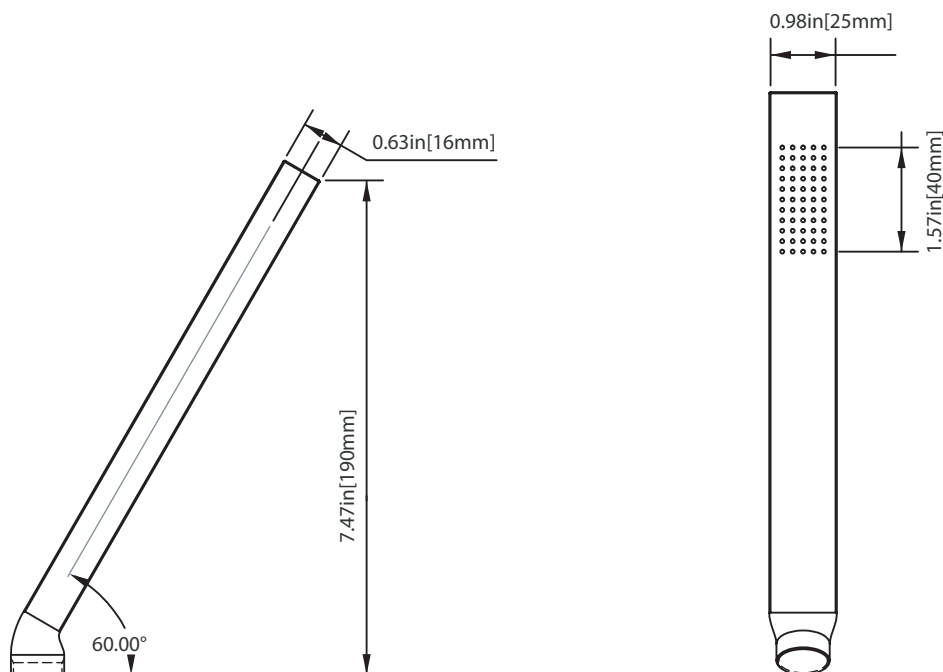
Legislation Compliance



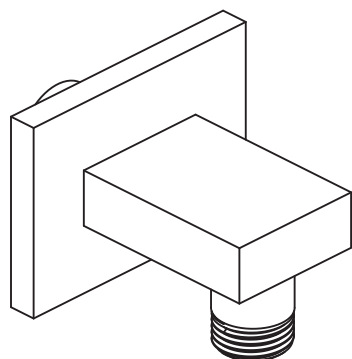
ZeroDrip Technology



Technical Diagram



160.5505 | Wall Elbow



SPECIFICATIONS:

- Solid Brass construction
- 1/2" female connection with adjustable slide on installation
- Includes check valve with back-flow prevention

FINISHES :

- Chrome - 160.5505CP / Brushed Nickel - 160.5505BN

Belgian Mirror Finish



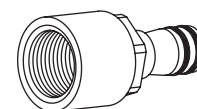
ZeroDrip Technology



Technical Diagram



Female NPT 1/2" Connector
Part # - FEM.5505



SP.150EM | Easy Maneuver Hose

SPECIFICATIONS:

- Stainless steel construction
- G-1/2" connection
- 1.5m length



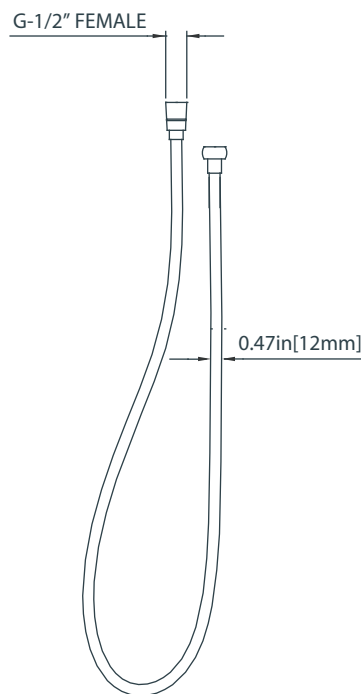
Legislation Compliance



ZeroDrip Technology



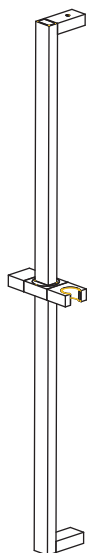
Technical Diagram



160.601003A | Slide Bar

SPECIFICATIONS:

- Solid Brass Construction
- Easy front of wall installation



Legislation Compliance



ZeroDrip Technology



Technical Diagram

