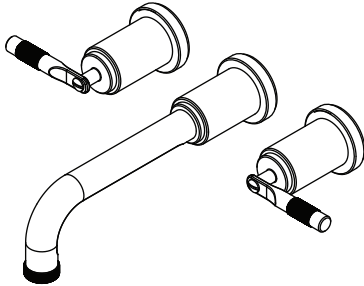


Installation Manual For 250.2450T - WALL MOUNT TUB FILLER- TWO HANDLE TRIM



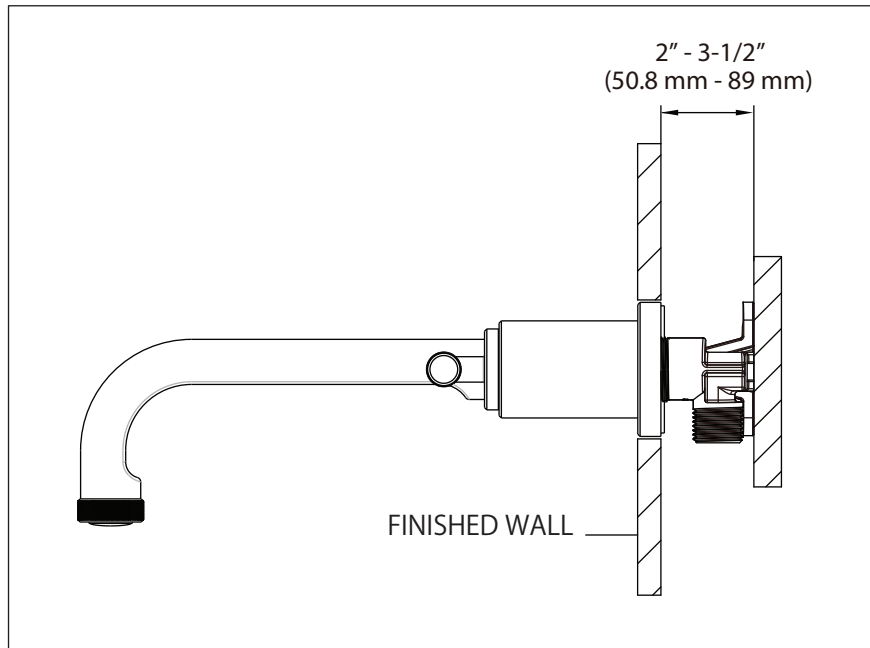
NOTICE TO HOMEOWNER

- We recommend that this product is installed by a qualified professional plumber.
- Please check this product immediately to ensure that it has not been damaged and is complete. Before installation, please make sure this product is the correct model and you have all the parts required for installation and use.
- Please flush the water system to ensure that no metal swarf, solder, and other impurities can enter the product.
- Turn off water supply before commencing work.
- Please read these instructions carefully and retain for future reference.

BEFORE YOU BEGIN

- You must observe all local plumbing laws and codes.
- Do not install this product if it does not meet plumbing codes.
- Shut off the main water supply.

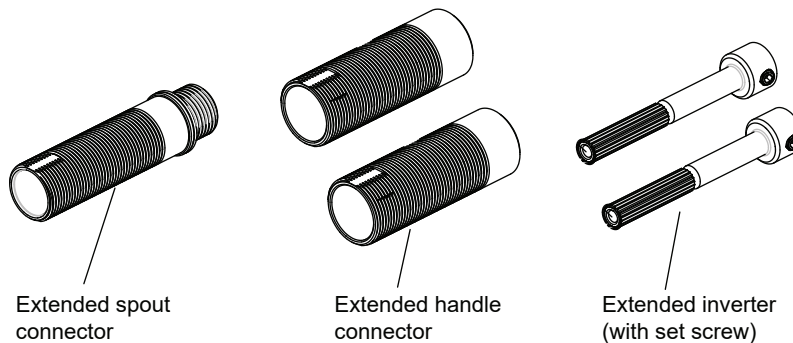
ROUGH IN SPECIFICATION



PREPARING FOR INSTALLATION

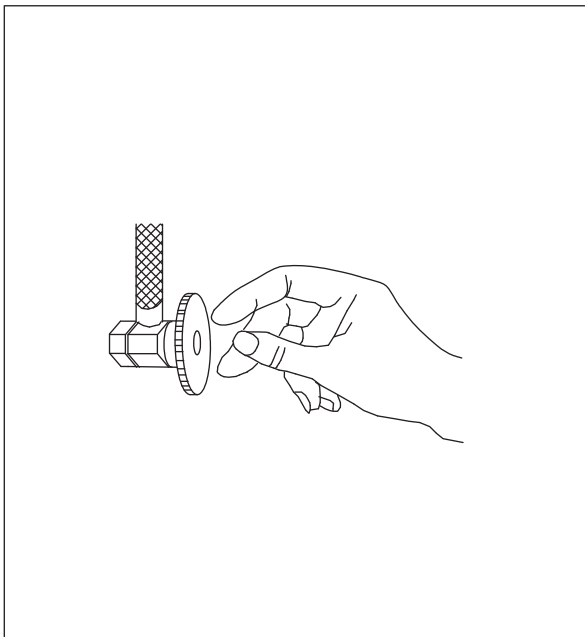
The recommended valve depth to the finished wall is 2" - 3.5" (51 mm - 89 mm), as shown in Fig.1, if the valve depth to the finished wall is 3.5" -4.3" (89 mm - 109mm), you will need to purchase an extension. (seen below)

250.1950E - EXTENSION KIT (NOT INCLUDED)



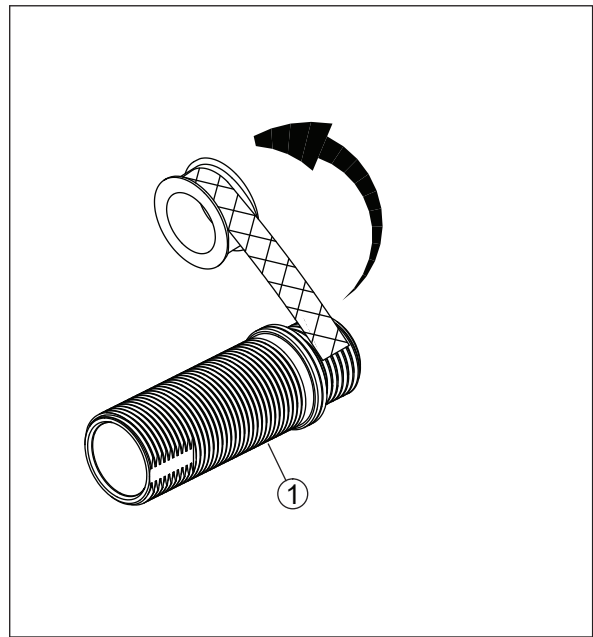
250.1950E

INSTALLING THE WALL MOUNT FAUCET TRIM



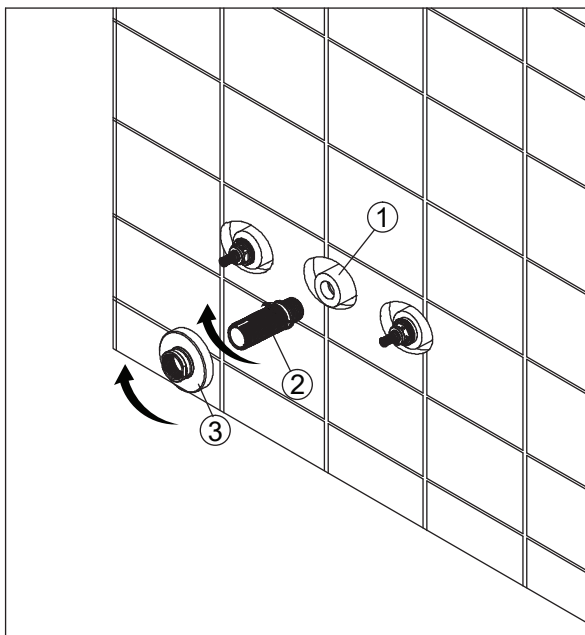
Step 1

Shut off water supply. Clean the surface in preparation for new faucet



Step 2

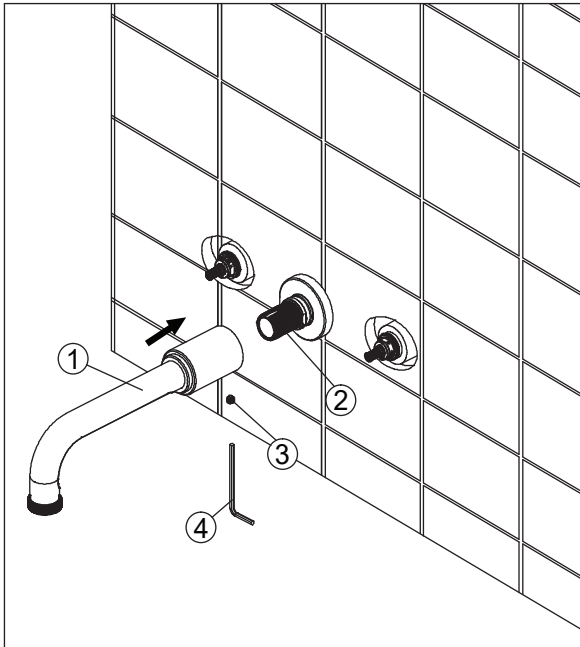
Before installation, wrap thread sealant tape (not included) around the end of the spout connector (1) in a clockwise direction, as shown.



Step 3

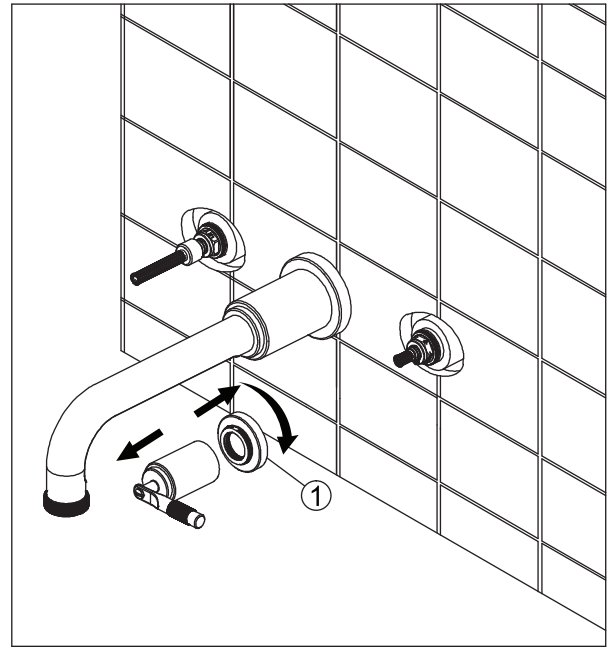
Tighten the spout connector (2) over the inlet shank of the valve body (1). Then tighten the flange (3) over the spout connector (2).

INSTALLING THE WALL MOUNT FAUCET TRIM



Step 4

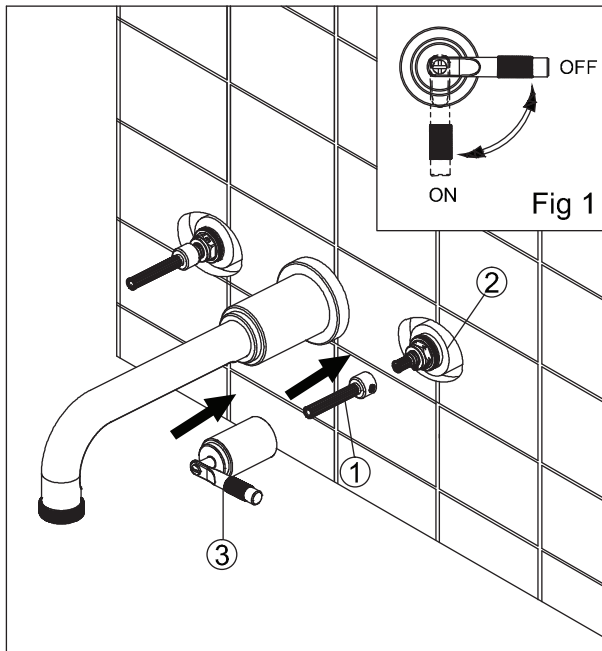
Install the spout assembly (1) onto the spout connector (2). Be sure the spout assembly (1) is resting firmly on the board. Push down on spout assembly (1) and tighten set screw (3) with the Hex wrench (Hex: 2.5mm, 4).



Step 5

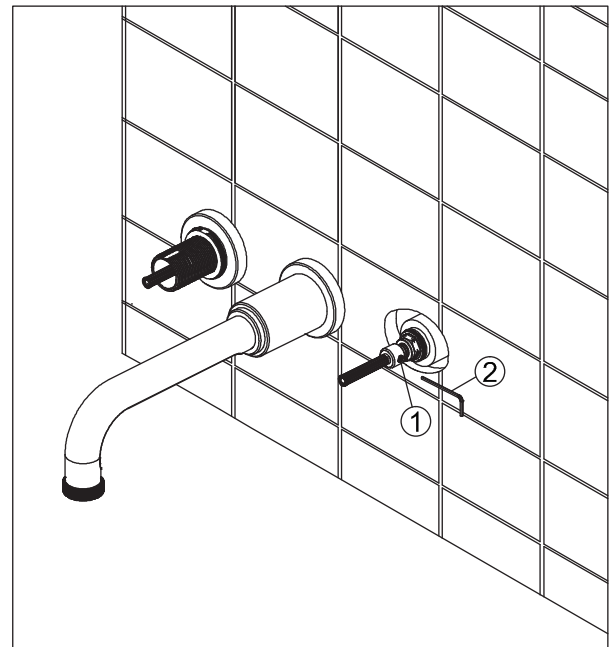
Unscrew the flange (1) from the handle assembly.

INSTALLING THE WALL MOUNT FAUCET TRIM



Step 6

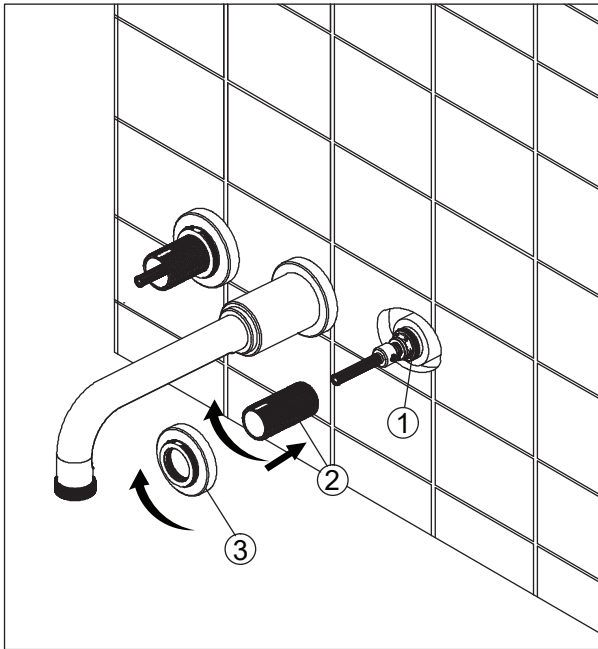
Place the inverter (1) onto the cartridge stem (2). Install the handle (3) into the inverter (1), if the handle is in the horizontal position when it is "Off" state, as shown in the Fig 1, the connector is installed correctly, then remove the handle (3).



Step 7

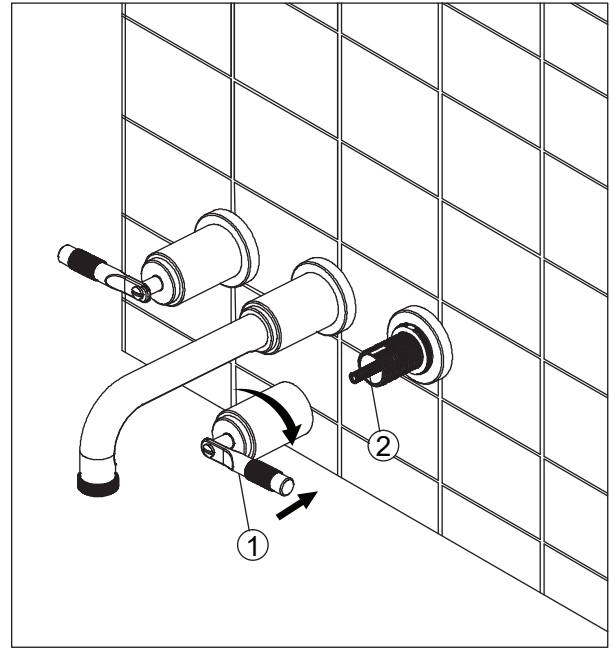
Tighten set screw (1) with the Hex wrench (Hex: 2.5mm, 2). Install other side with the same way.

INSTALLING THE WALL MOUNT FAUCET TRIM



Step 8

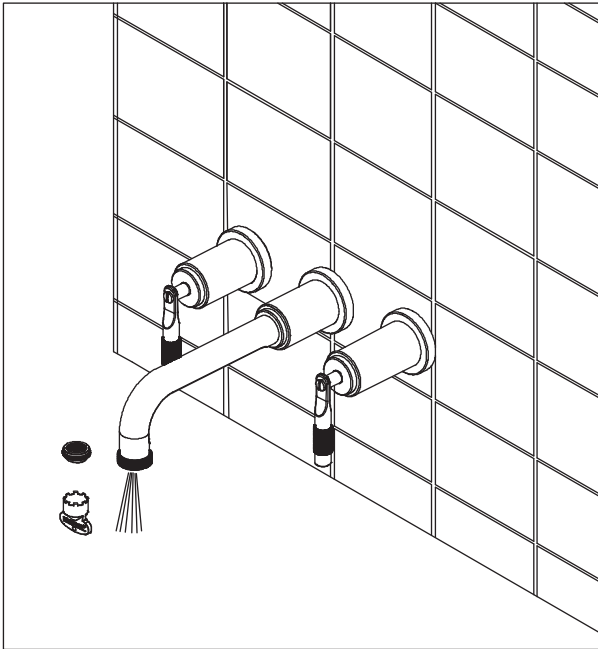
Install the handle connector (2) onto the cartridge stem (1) with wrench. Do not overtighten. Then install the flange (3) onto the handle connector (2) until the flange (3) is flush with the wall. Install other side with the same way.



Step 9

Install the handle (1) onto the inverter (2).
Install other side with the same way.

INSTALLING THE WALL MOUNT FAUCET TRIM



Step 10

Ensure the faucet handles are in the off position, and turn on the water supply and check for leaks. If you discover any leaks, check your connections to ensure they are installed properly. Turn on the hot and cold handles to allow the water to run for at least one minute. This flushes away any debris that could cause damage to internal parts. Turn off the water.