

Poehlmann Ring Pendant
PRP

Project Name _____

Fixture Type _____

Quantity _____

Norwell | Lighting

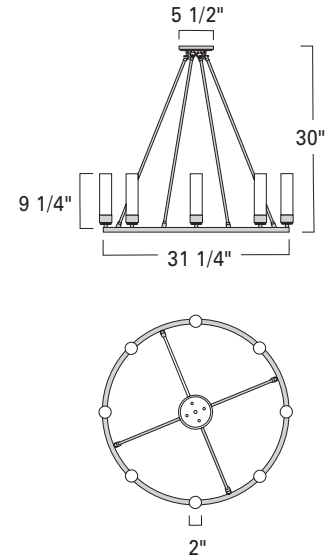
I L E X

Custom Metalcraft



Poehlmann Ring Pendant
PRP-TU-BN-SH

PRP



See complimentary
Alex Sconce at norwellinc.com

HAL-

Product Name / Model / Dimensions	Mounting Options	Diffuser Options	Finish Options	Lamping Options				
Poehlmann Ring Pendant/ PRP <table border="1"> <tr> <td>Diameter</td> <td>OA Height</td> </tr> <tr> <td>31.25"</td> <td>30.00"</td> </tr> </table>	Diameter	OA Height	31.25"	30.00"	Standard Tubing / TU	Standard Splashed Opal / SO Shiny Opal / SH Option Matte Opal / MO	Standard Architectural Bronze / AB Polished Brass / PB Satin Brass / SB Premium Brushed Nickel / BN Polished Nickel / PN	Standard Incandescent / IN (8) 60W max candelabra Optional Halogen / HA (8) 50W max E11 minican
Diameter	OA Height							
31.25"	30.00"							

UL/ETL Listed

9-2020

DISCLAIMER:

Norwell Lighting and its companies, ILEX Architectural Lighting and Custom Metalcraft reserve the right to change specifications related to its product at anytime. USA Made indicates product is manufactured in East Taunton, Massachusetts facility. Phone: 508-823-1751