

Bryant Park LED

BPK1 Single Sconce
BPK2 Double Sconce

Project Name _____

Fixture Type _____

Quantity _____

Norwell Lighting

I L E X

Custom Metalcraft

CITY LED Series

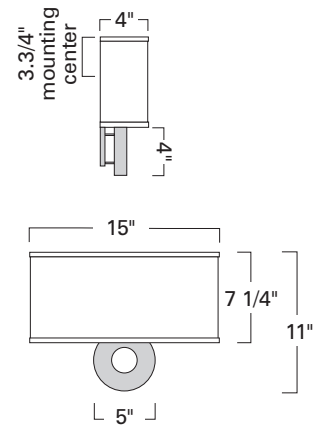


Bryant Park Double
BPK2-BA-CS

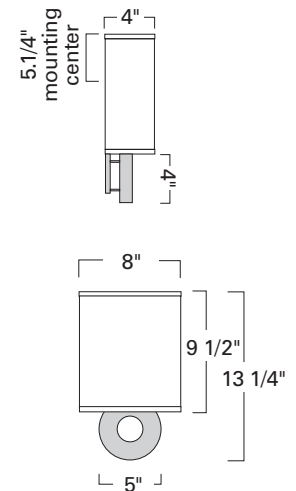


Bryant Park Single
BPK1-BA-CS

BKP2



BKP1



The City Series ADA products are available in a variety of styles and finishes.

LED ADA

Product Name / Model / Dimensions				Mounting Options	Diffuser Options	Finish Options	Lamping Options
Bryant Park Double Sconce / BPK2 Bryant Park Single Sconce / BPK1				Standard Wall Mount / WM Optional Solid Backplate	Standard Cream Linen Shade / CS Junction box located behind shade	Standard Architectural Bronze Powder Coat / ABPC Brushed Aluminum / BA Matte Black / MB Matte White Powder Coat / MW Polished Aluminum / PA	Standard BPK2 LED / LED 2592lm 3000K CCT, 80 CRI 36 Watts; 120v - 277v ELV dimmable (must specify 277v)
Series	Height	Width	Projection				Optional Incandescent / IN (2) 60W max candelabra E12
BPK2	11.00"	15.00"	4"				Standard BPK1 LED / LED 1296lm 3000K CCT, 80 CRI 22 Watts; 120v - 277v ELV dimmable (must specify 277v)
BPK1	13.50"	8"	4"		Optional Incandescent / IN (1) 60W max candelabra E12		

Dry Location Rated and UL/ETL Listed

DISCLAIMER:

Norwell Lighting and its companies, ILEX Architectural Lighting and Custom Metalcraft reserve the right to change specifications related to its product at anytime. USA Made indicates product is manufactured in East Taunton, Massachusetts facility. Phone: 508-823-1751