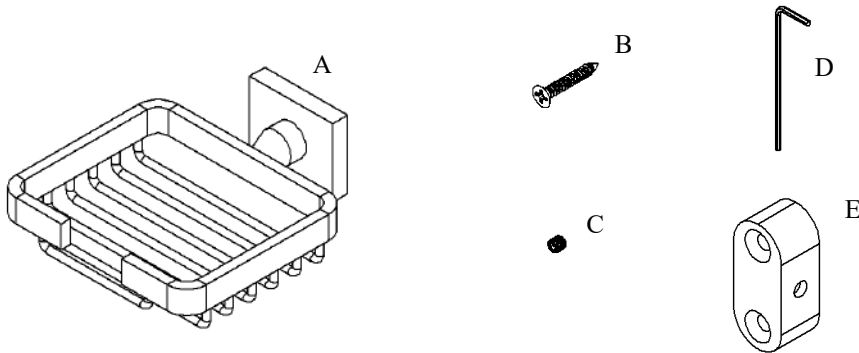




*Exhilarating by Design*

# Volkano Crater Soap Basket Installation Guide

Code: V62593, V62594, V62595



Parts Included	QTY
A - Soap Basket	1
B - Screw	2
C - Set Screw	1
D - Allen Key	1
E - Bracket	1

Model #	Description	Finish	Weight (lb)	WxHxD (mm)	WxHxD (Inches)	Metal Type
V62593	Crater Soap Basket	Chrome	0.836	127 x 50 x 152	5 x 2 x 6	Brass
V62594	Crater Soap Basket	Brushed Nickel	0.836	127 x 51 x 152	5 x 2 x 6	Brass
V62595	Crater Soap Basket	Matte Black	0.836	127 x 51 x 152	5 x 2 x 6	Brass

**Warranty:** 2 Years

**Care & Maintenance:** A periodic wash using warm water and a soft cloth will retain the high quality finish of your Volkano product for many years to come. ON NO ACCOUNT should any household bleaches, detergents, abrasive polishes, steel wool or other cleaning agents be used on this item.

