

# JENNIFER

DESIGNER COLLECTION

H | S

**PVC SYSTEMS INCLUDE:**

- 8 Fully directional adjustable PVC jets
- Anti-vortex safety suction
- Color matched system trim
- HydroOzone ozone sanitation system
- Rigid PVC piping
- Self draining pump and system
- Soft Touch electronic on/off control with 20-minute integral times
- 2.25 HP single speed pump
- Cable waste and overflow
- Whirlpool system requires 20 Amp Dedicated GFCI 120V



**OPTIONS**

- \*Colonial Grab Bars
- \*Linear Integral Waste and Overflow
- \*Chromatherapy-LED Lighting System
- Universal Grab Bars
- Microban Antibacterial Protection
- Extra high density fiberglass
- Custom jet and pump locations
- Waterfall Fill Spout (recirculating option available)
- Plated Metallic finish
- Additional directional Jets / Swirling
- Jumbo Jets rotating and directional
- Micro Therapy Jet
- Integral Waste and Overflow (round)
- Electronic low water protection
- In-line heater
- Back Masseur
- Neck Masseur Pillow
- Hydro Fusion
- Hydro Coat
- Indulge
- Hydro Express quick ship
- Digital LCD temperature display
- Hydro Blanket

OPTION	ELECTRICAL REQUIREMENTS
Whirlpool	1 20amp - 115V dedicated GFCI
Thermal Air	1 15amp - 115V dedicated GFCI
Combo	1 20amp - 115V & 1 15amp - 115V dedicated GFCI
Hydro Indulge	1 15amp - 115V dedicated GFCI
Inline Heater 1500	1 15amp - 115V dedicated GFCI
Inline Heater 600W	Shares circuit with Whirlpool pump
Fusion 1500W	1 15amp - 115V dedicated GFCI
Fusion 600W	1 15amp - 115V dedicated GFCI

# JENNIFER

DESIGNER COLLECTION

# H | S

## AS SHOWN:

Whirlpool option with standard jet location

## FEATURES SHOWN:

- Jets
- Overflow location

## AVAILABLE SYSTEMS:

- Soaking tub only
- Whirlpool
- Thermal Air
  - Approximately 55 Injectors
- Combo

## SIZE:

72.48.25½

## WATER CAPACITY:

90 Gallons

## WEIGHT:

105 - 145 Pounds

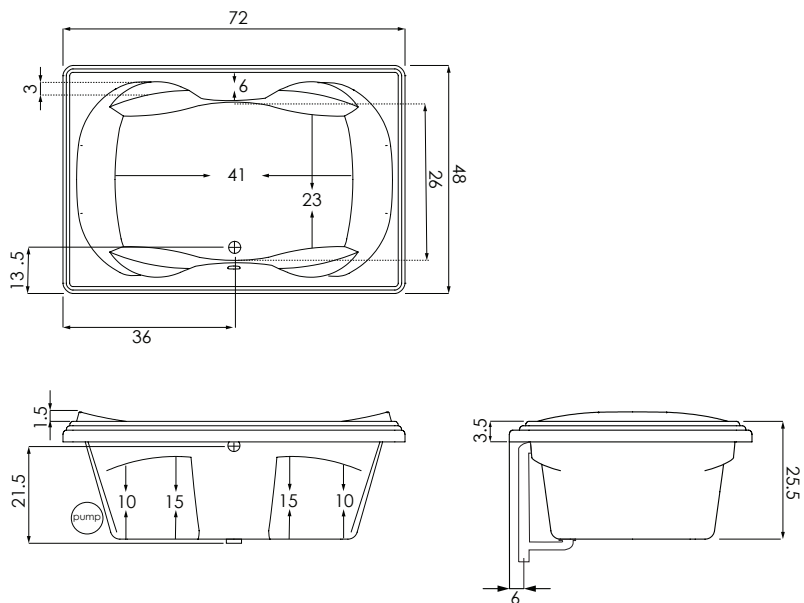
## CUT - OUT DIMENSIONS:

- (L)ength- 70"
- (W)idth- 46"
- Finish- 23"



## ACRYLIC TUB

- Acrylic models finished in 1/8" thick layer of deep lustrous acrylic
- Extra thick reinforced fiberglass
- Pre-wired pump on pump platform (standard pump location only)
- Integral E-Z level platform facilitates installation
- Tub must be set in mortar base
- When adding linear option, locate p-trap below waste



## CODES AND COMPLIANCES

Massachusetts code File no: P1-0614-491



**HYDRO SYSTEMS**  
Family Owned And Operated Since 1978

29132 Avenue Paine, Valencia, CA, 91355  
661.775.0686 | hydrosystem.com

All specifications and options subject to change without notice please contact a Hydro Systems representative for more information. Certain options or altering the pump/blower location may cause the pump/blower to extend beyond the tub decking. For cutout dimensions wait for unit to arrive. All specifications subject to change without notice.