

## Universal Soap Dispenser

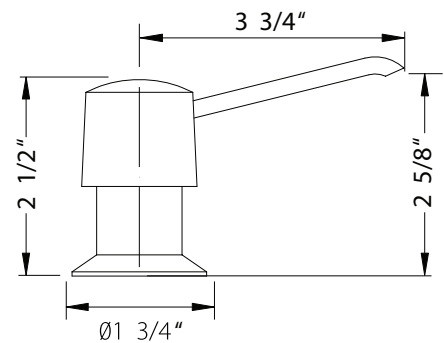
**Model 170-2500-PC** : Polished Chrome  
**170-2500-BN** : Brushed Nickel  
**170-2500-OB** : Oil Rubbed Bronze



### FEATURES

170-2500

- Solid brass construction pump
- Soap Dispensing with Accurate Dosage
- 12 Oz. large capacity food grade safe plastic soap bottle
- 360° degree Swivel Soap Dispenser
- Available in 2 finish options
- Limited Lifetime Warranty



### AVAILABLE FINISHES

HAMATUSA has a wide range of finish options, utilizing various technologies: fully automated polishing and brushing plating line, electrostatic powder coating line, and PVD capabilities that allow for a vast range of different finishes such as metallic, brass, pewter, copper and practically any other finish possible.



Polished Chrome



Brushed Nickel



Oil Rubbed  
Bronze

Project/Job name \_\_\_\_\_

Architect/Engineer \_\_\_\_\_

Contractor \_\_\_\_\_

Model \_\_\_\_\_

Q'ty \_\_\_\_\_

Notes \_\_\_\_\_