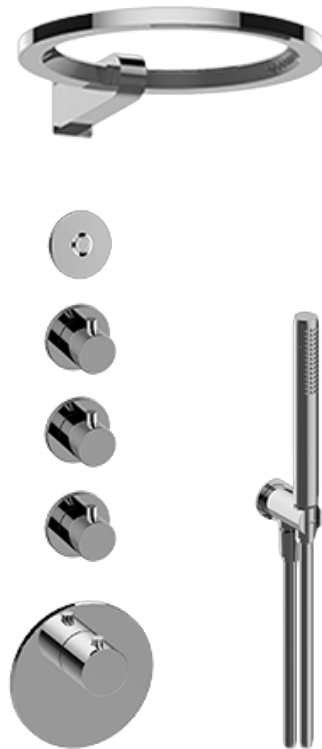


SHOWER
M-Series Thermostatic Shower
System - Ametis Ring with
Handshower
GL4.029SC-RH0

GRAFF®

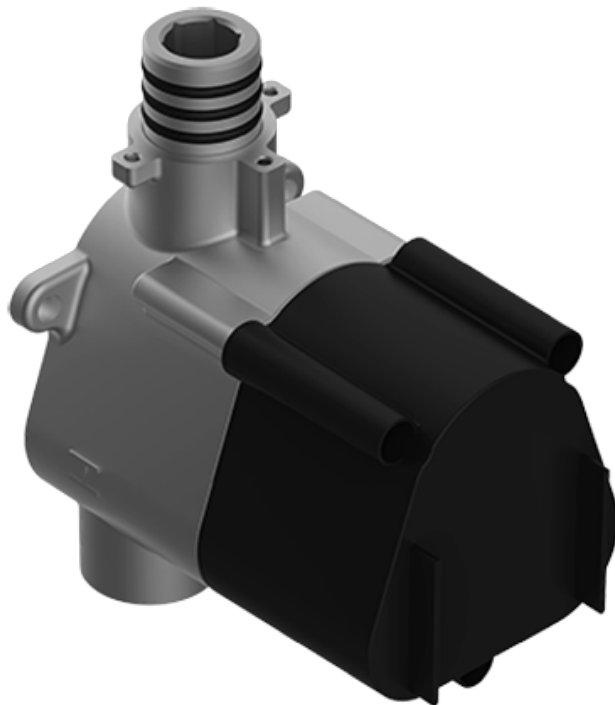


Information

- 3/4" thermostatic valve and trim
- 3/4" stop/volume control valve and trim (3 pieces)
- G-8760 Ametis Ring with waterfall and rain shower settings, features no-clog, easy-clean nozzles
- Single LED light with 6 color variations
- Includes wall-mount button for LED control box
- Handshower set with wall bracket and integrated wall supply elbow and 59" hose
- Optional extension kit
- Additional valve details and flow rates
- Flow rates: rain shower ≤ 2.0 max gpm, waterfall ≤ 2.0 max gpm, handshower ≤ 1.5 max gpm

SHOWER
Thermostatic Rough Valve
G-8006

GRAFF[®]



Information

- 12.9 gpm @ 60 psi
- 3/4" universal inlets
- Built-in service stops
- Stacking outlet feature
- Complete serviceability from front of all units
- Supplied with protective plastic cover
- CalGreen compliant dependent on functions

Finishes



Architectural
Black™



Matte Black



Polished
Chrome

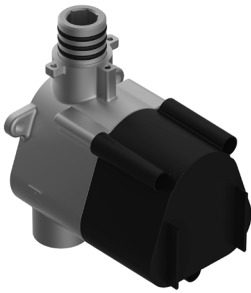


Architectural
White

G-8006

M-Series

3/4" Concealed Thermostatic Rough Valve



Product Features

- 12.9 gpm @ 60 psi
- 3/4" universal inlets
- Built-in service stops
- Stacking outlet feature
- Complete serviceability from front of all units
- Supplied with protective plastic cover
- CalGreen compliant dependent on functions

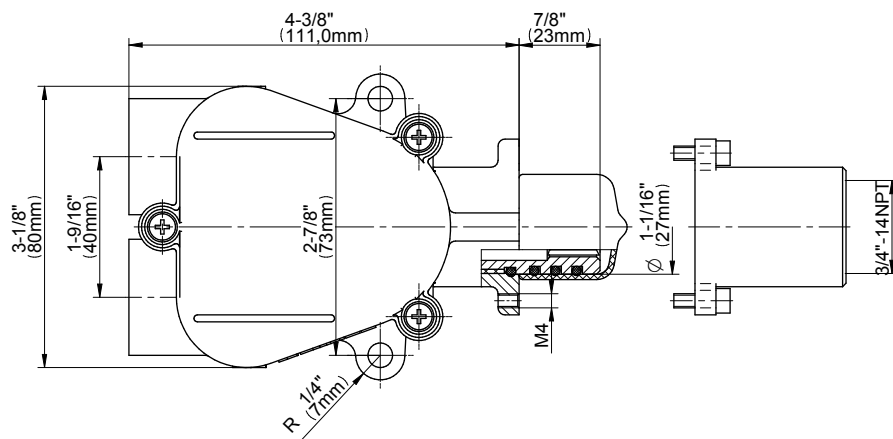
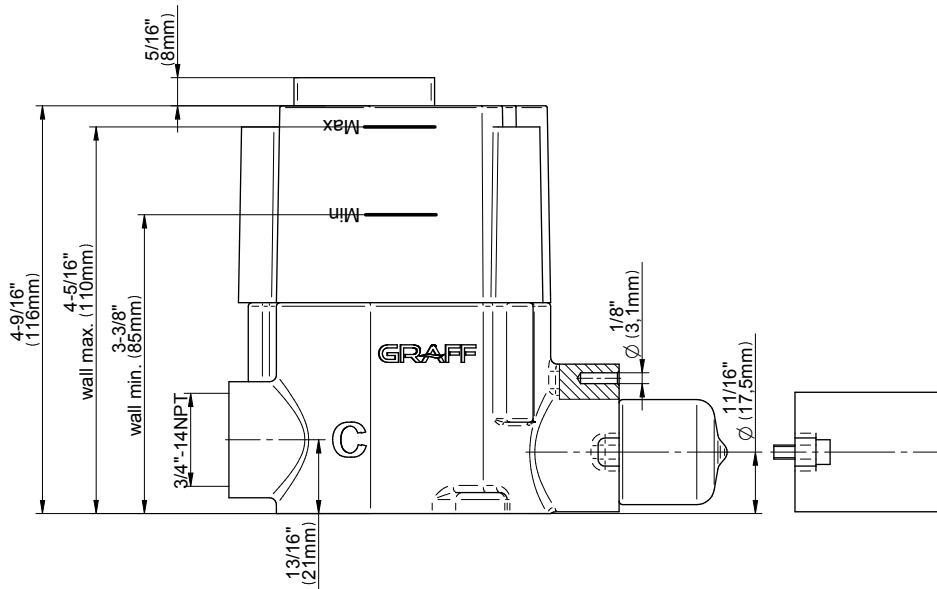
Code Compliance

- CALGreen

Warranty

- Limited lifetime warranty

For complete warranty information go to www.graff-faucets.com/en/info/faqs

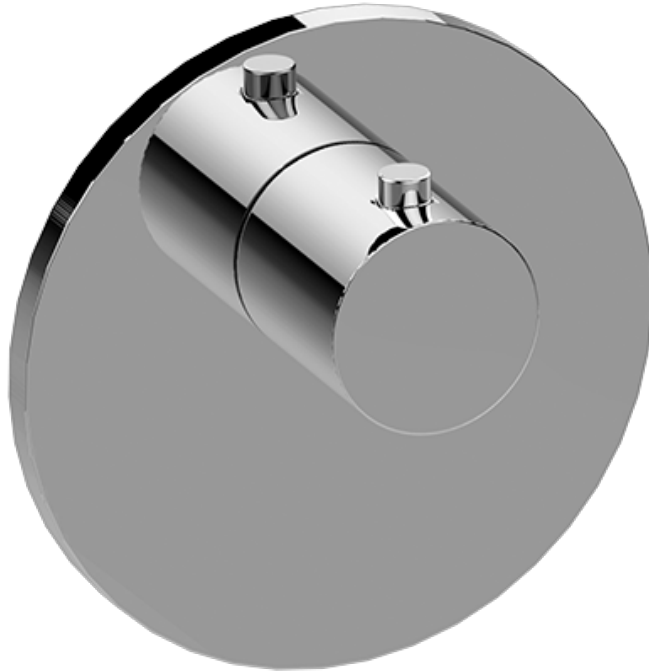


The measurements shown are for reference only. Products and specifications shown are subject to change without notice. Revised 3/2016.

www.graff-faucets.com | phone: 800-954-4723

SHOWER
M-Series Round Thermostatic
Valve Trim Plate and Handle
G-8037-RH-T

GRAFF[®]



Information

- Single metal handle
- Decorative trim plate
- Use with G-8006 thermostatic rough valve
- To complete package, you must order rough valve

Finishes



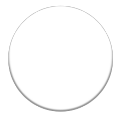
Architectural
Black™



Matte Black



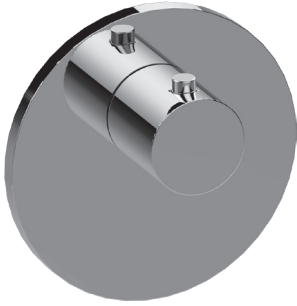
Polished
Chrome



Architectural
White

G-8037-RH-T

M-Series Round Thermostatic Valve Trim Plate and Handle



Product Features

- Single metal handle
- Decorative trim plate
- To complete package, you must order G-8006 thermostatic rough valve

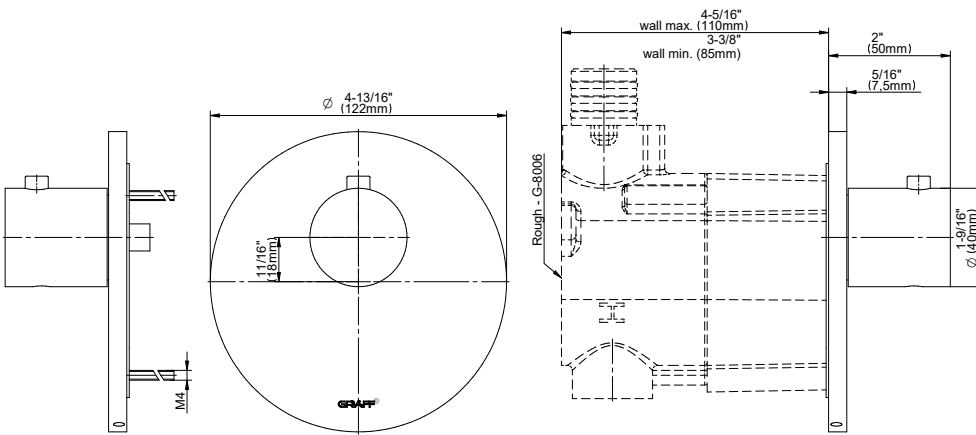
Warranty

- Limited lifetime warranty

For complete warranty information go to <https://www.graff-designs.com/en/info/faqs>

Available Finishes

- Polished Chrome
G-8037-RH-PC-T
- Polished Nickel
G-8037-RH-PN-T
- Brushed Nickel
G-8037-RH-BNi-T
- Matte Black*
G-8037-RH-MBK-T*
- Architectural Black*
G-8037-RH-BK-T*
- Architectural White*
G-8037-RH-WT-T*
- Unfinished Brushed Brass*
G-8037-RH-UBB-T*
- Unfinished Brass*
G-8037-RH-UB-T*
- Steinox (Satin Nickel)
G-8037-RH-SN-T
- Olive Bronze*
G-8037-RH-OB-T*
- Gunmetal*
G-8037-RH-GM-T*
- OR'osa PVD*
G-8037-RH-RG-T*
- Brushed OR'osa PVD*
G-8037-RH-BRG-T*
- Onyx PVD*
G-8037-RH-OX-T*
- Brushed Onyx PVD*
G-8037-RH-BOX-T*
- Polished Brass PVD*
G-8037-RH-PB-T*
- Brushed Brass PVD*
G-8037-RH-OX-T*
- 24K Brushed Gold*
G-8037-RH-BAU-T*
- 24K Gold*
G-8037-RH-AU-T*



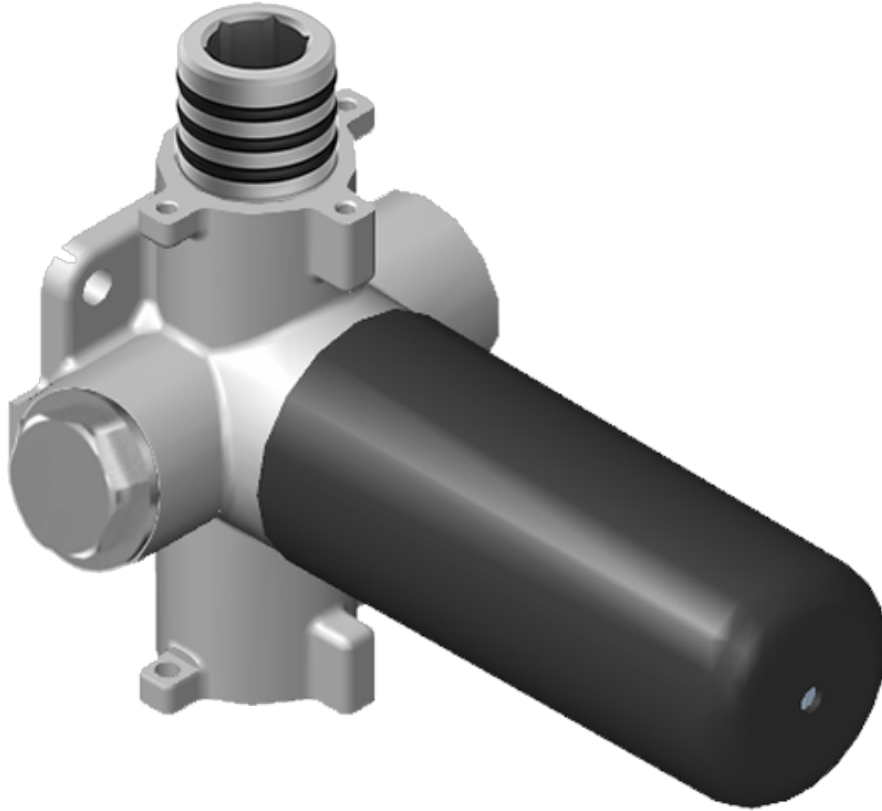
* Special order finish- call for availability

The measurements shown are for reference only. Products and specifications shown are subject to change without notice. Revised 10/2019

www.graff-designs.com | phone: 800-954-4723

SHOWER
Stop/Volume Control Valve with
Pass Through
G-8076

GRAFF®



Information

- 12.3 gpm @ 60 psi
- 3/4" universal inlets/outlets with female threads
- Stacking inlet and pass-through port feature
- Supplied with protective plastic cover
- CalGreen compliant dependent on functions

Finishes



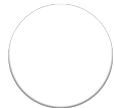
Architectural
Black™



Matte Black



Polished
Chrome



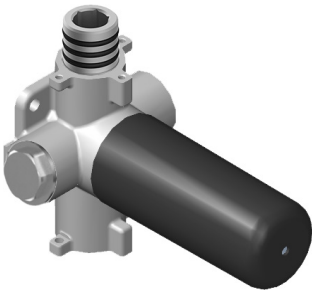
Architectural
White

G-8076

M-Series

Stop/Volume Control Rough Valve with Pass-Through

GRAFF[®]
CUTTING EDGE DESIGN



Product Features

- 13.2 gpm @ 60 psi
- 3/4" universal inlets/outlets with female threads
- Stacking inlet and pass-through port feature
- Supplied with protective plastic cover
- CalGreen compliant dependent on functions

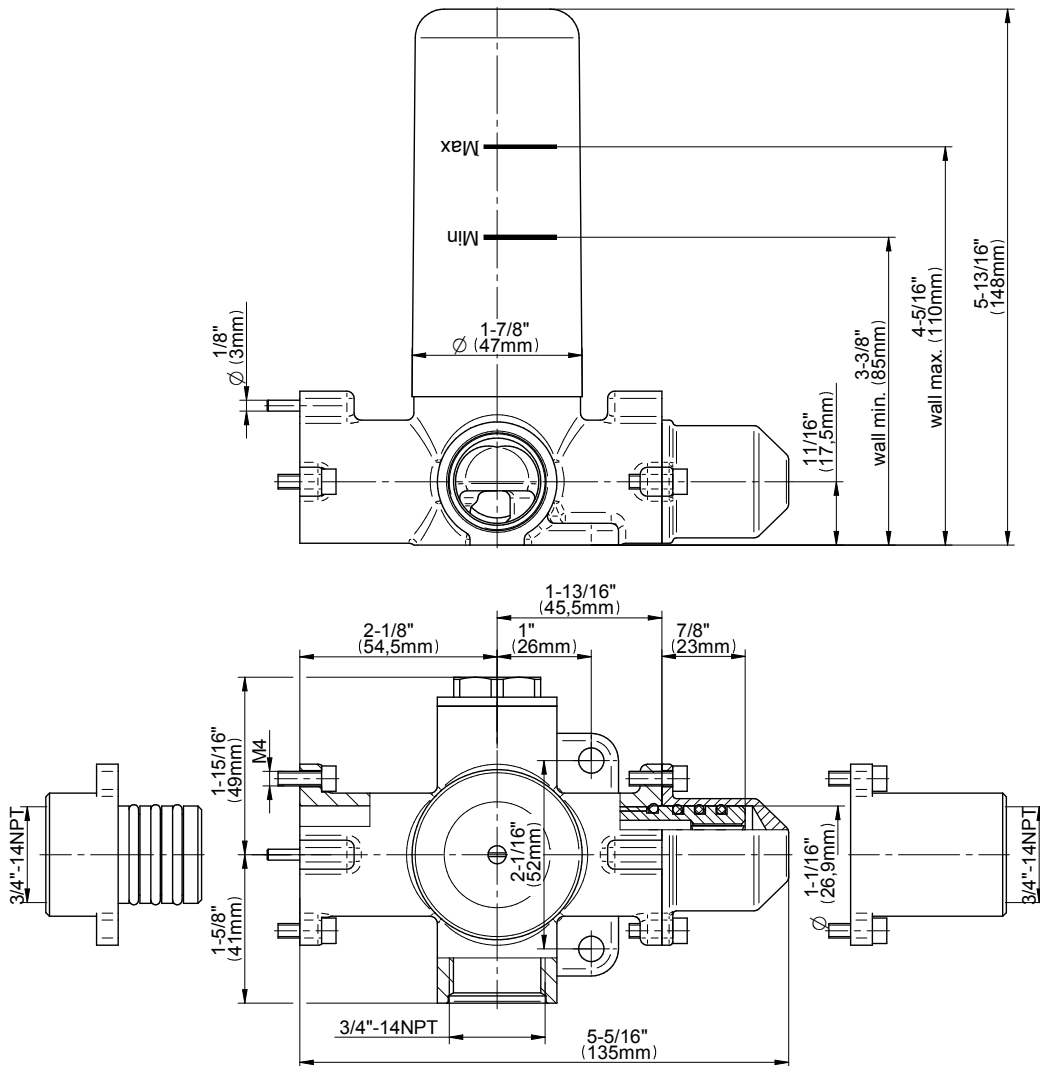
Code Compliance

- CALGreen

Warranty

- Limited lifetime warranty

For complete warranty information go to www.graff-faucets.com/en/info/faqs

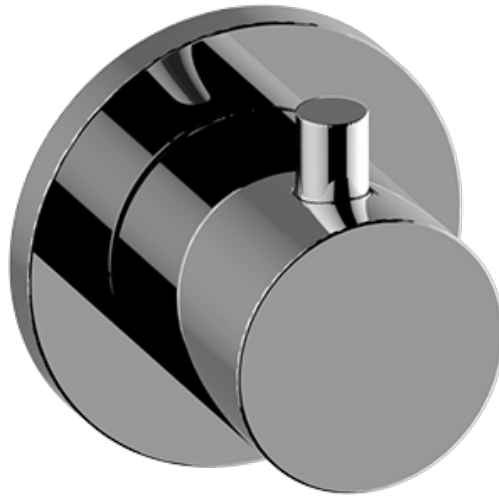


The measurements shown are for reference only. Products and specifications shown are subject to change without notice. Revised 3/2016.

www.graff-faucets.com | phone: 800-954-4723

SHOWER
M-Series Round Stop/Volume
Control Trim Plate and Handle
G-8097-RH1-T

GRAFF®



Information

- Single metal handle
- Decorative trim plate
- Use with G-8076 Stop/Volume Control rough valve with Pass-Through or G-8077 Stop/Volume Control rough valve
- To complete package, you must order rough valve

Finishes



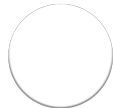
Architectural
Black™



Matte Black



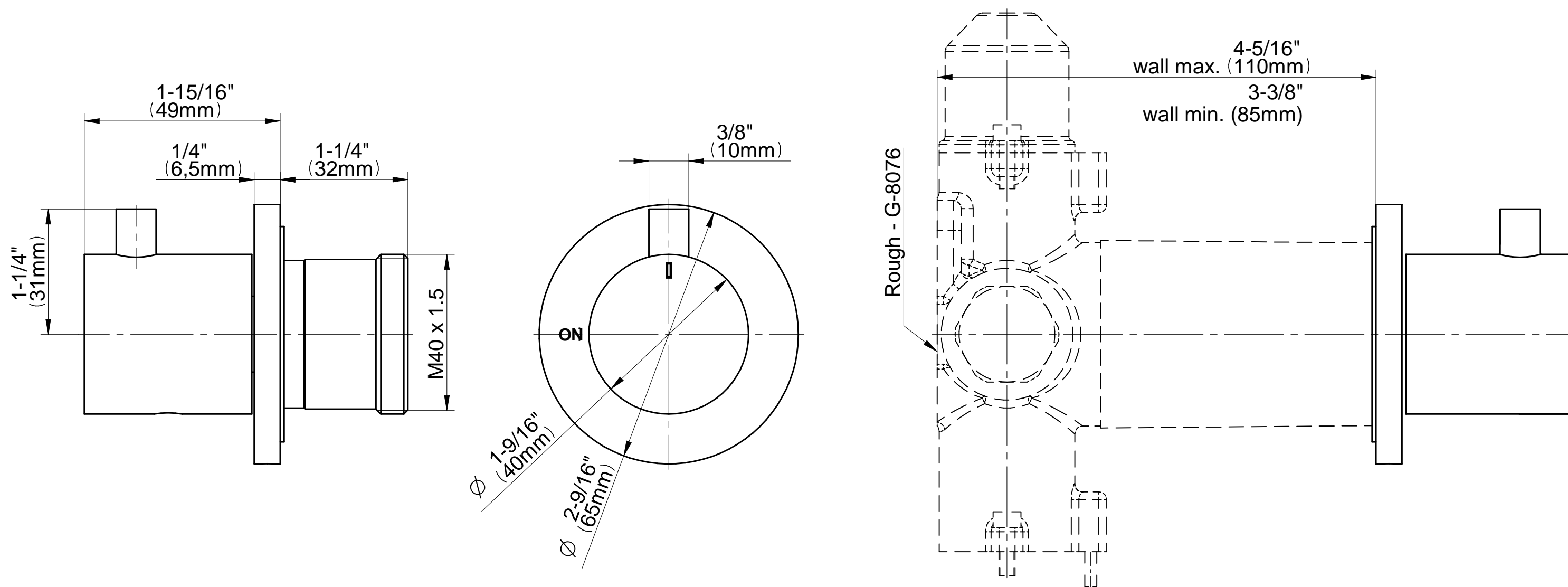
Polished
Chrome



Architectural
White

G-8097-RH1-T

Stop/Volume Control Valve - Trim - M-Series



SHOWER
59" Shower Hose
G-8605

GRAFF[®]



Information

- Brass spiral flexible hose with conical nut

Finishes



Architectural
Black™



Matte Black



Polished
Chrome



Architectural
White



Product Features

- Brass spiral flexible hose with conical nut

Warranty

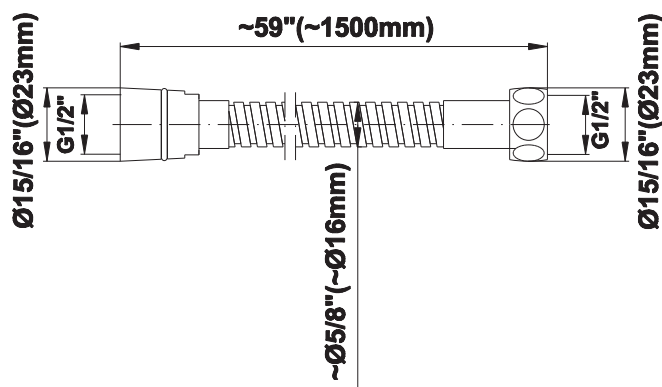
- Limited lifetime warranty

For complete warranty information go to www.graff-designs.com/en-nam/warranty

Available Finishes

- Polished Chrome
G-8605-PC
- Polished Nickel
G-8605-PN
- Brushed Nickel
G-8605-BNi
- Unfinished Brushed Brass*
G-8605-UBB*
- Unfinished Brass*
G-8605-UB*
- Matte Black*
G-8605-MBK*
- Architectural Black*
G-8605-BK*
- Architectural White*
G-8605-WT*
- Olive Brass*
G-8605-OB*
- Gunmetal*
G-8605-GM*
- Vintage Brushed Brass*
G-8605-VBB*
- Steelnox (Satin Nickel)
G-8605-SN
- 24K Brushed Gold*
G-8605-BAU*
- 24K Gold*
G-8605-AU*
- Gunmetal Distressed*
G-8605-GMD*

* Special order finish- call for availability



SHOWER
Handshower Wall Bracket with
Integrated Wall Supply Elbow
G-8618

GRAFF[®]



Information

- Solid brass construction
- 1/2" NPT female inlet thread

Finishes



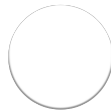
Architectural
Black™



Matte Black



Polished
Chrome



Architectural
White

G-8618

Handshower Wall Bracket with Integrated Wall Supply Elbow

GRAFF®



Product Features

- Solid brass construction
- 1/2" NPT female inlet thread

Warranty

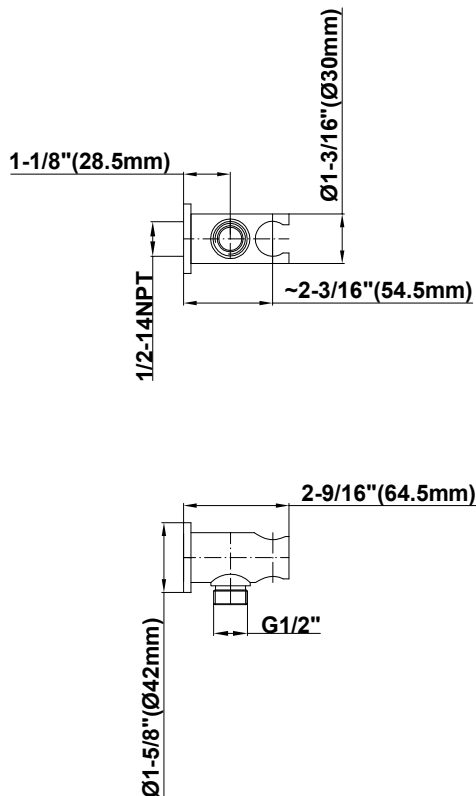
- Limited lifetime warranty

For complete warranty information go to
<https://www.graff-designs.com/en/info/faqs>

Available Finishes

- Polished Chrome
G-8618-PC
- Polished Nickel
G-8618-PN
- Brushed Nickel
G-8618-BNi
- Unfinished Brushed Brass*
G-8618-UBB*
- Unfinished Brass*
G-8618-UB*
- Matte Black*
G-8618-MBK*
- Architectural Black*
G-8618-BK*
- Architectural White*
G-8618-WT*
- Steinox (Satin Nickel)
G-8618-SN
- Olive Bronze*
G-8618-OB*
- Gunmetal*
G-8618-GM*
- Vintage Brushed Brass*
G-8618-VBB*
- OR'osa PVD*
G-8618-RG*
- Brushed OR'osa PVD*
G-8618-BRG*
- Onyx PVD*
G-8618-OX*
- Brushed Onyx PVD*
G-8618-BOX*
- Polished Brass PVD*
G-8618-PB*
- Brushed Brass PVD*
G-8618-BB*
- 24K Brushed Gold*
G-8618-BAU*
- 24K Gold*
G-8618-AU*

* Special order finish- call for availability



The measurements shown are for reference only. Products and specifications shown are subject to change without notice. Revised 10/2019

www.graff-designs.com | phone: 800-954-4723

SHOWER
Contemporary Round Handshower
G-8714

GRAFF[®]



Information

- Solid brass construction
- Smooth, all-metal handle
- Shower hose not included
- Handshower flow rate ≤ 1.5 max gpm
- CALGreen

Finishes



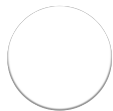
Architectural
Black™



Matte Black



Polished
Chrome



Architectural
White

G-8714

Contemporary Round Handshower



Product Features

- Solid brass construction
- Smooth, all-metal handle
- Aerated flow rate ≤ 1.5 max gpm
- Shower hose not included

Code Compliance

- CalGreen compliant

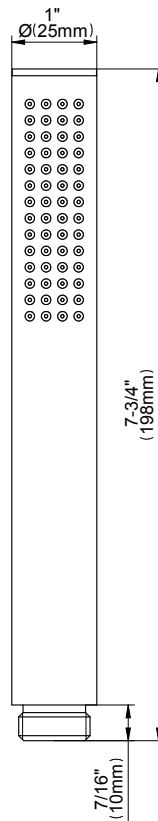
Available Finishes

- Polished Chrome
G-8714-PC
- Brushed Nickel
G-8714-BNi
- Polished Nickel
G-8714-PN
- Steelnox[®]
G-8714-SN
- Olive Bronze[™]
G-8714-OB
- Architectural Black[™]
G-8714-BK
- Architectural White
G-8714-WT

Warranty

- Limited lifetime warranty

For complete warranty information go to
<http://www.graff-faucets.com/en/info/faqs>

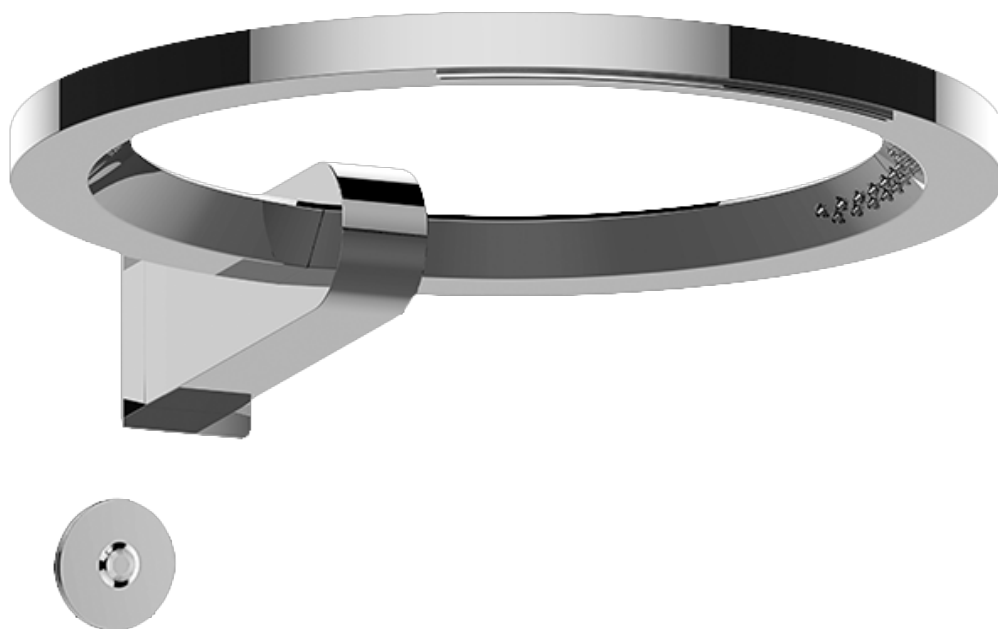


The measurements shown are for reference only. Products and specifications shown are subject to change without notice. Revised 02/2017.

www.graff-faucets.com | phone: 800-954-4723

SHOWER
Ametis Ring
G-8760

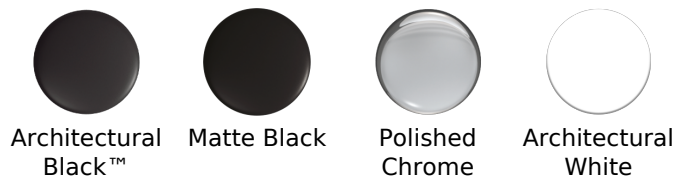
GRAFF®



Information

- Wall-mounted installation
- 6-color LED chromotherapy lighting
- Dual-function water feature with cascade & waterfall shower settings
- Features no-clog, easy-clean nozzles
- Flow rates: rain shower ≤ 2.0 max gpm, waterfall ≤ 2.0 max gpm
- Includes wall-mount button for LED control box
- CALGreen

Finishes



Architectural
Black™

Matte Black

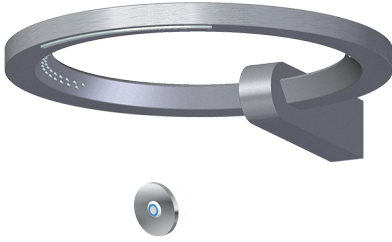
Polished
Chrome

Architectural
White

G-8760

Ametis Collection
Ametis Ring Water Feature

GRAFF[®]
CUTTING EDGE DESIGN



Product Features

- Wall-mounted installation
- 6-color LED chromotherapy lighting
- Dual-function water feature with waterfall and rain shower settings
- Features no-clog, easy-clean spray nozzles
- Flow rates: rain shower ≤ 2.0 max gpm, waterfall ≤ 2.0 max gpm
- Includes wall-mount button for LED control box

Available Finishes

- Polished Chrome
G-8760-PC
- Architectural Black*
G-8760-BK*
- Architectural White*
G-8760-WT*

* Special order finish- call for availability

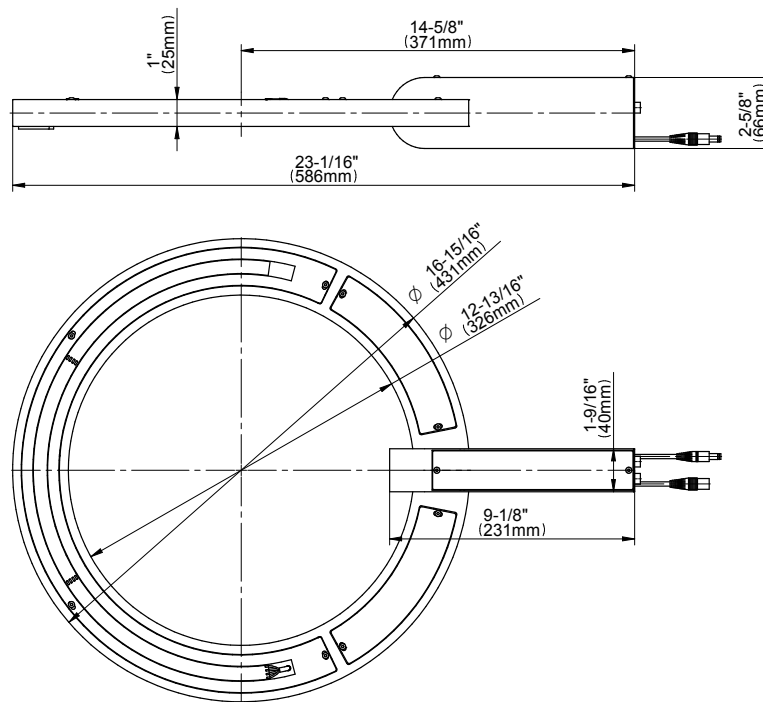
Code Compliance

- CALGreen

Warranty

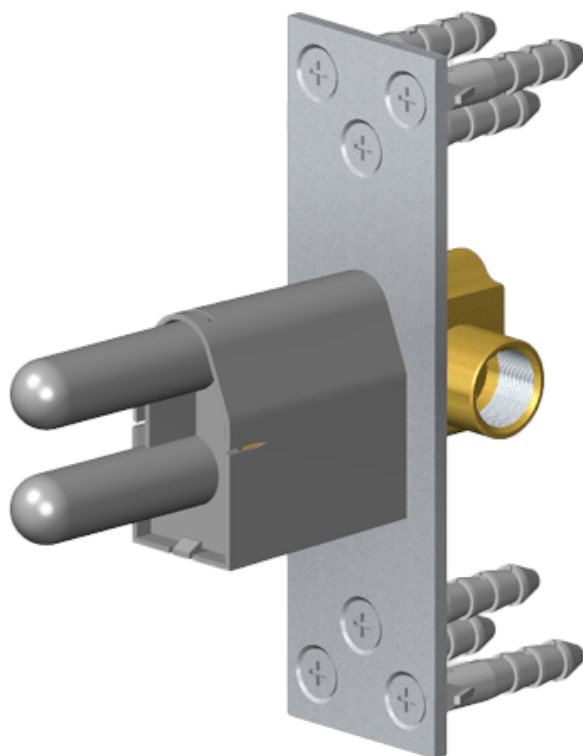
- Limited lifetime warranty

For complete warranty information go to
www.graff-designs.com/en-nam/warranty



SHOWER
Ametis Ring Rough
G-8765

GRAFF®



Finishes



Architectural
Black™



Matte Black



Polished
Chrome

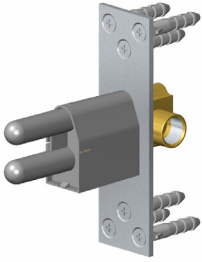


Architectural
White

G-8765

Ametis Collection

Ametis Ring Rough (Rough Only)



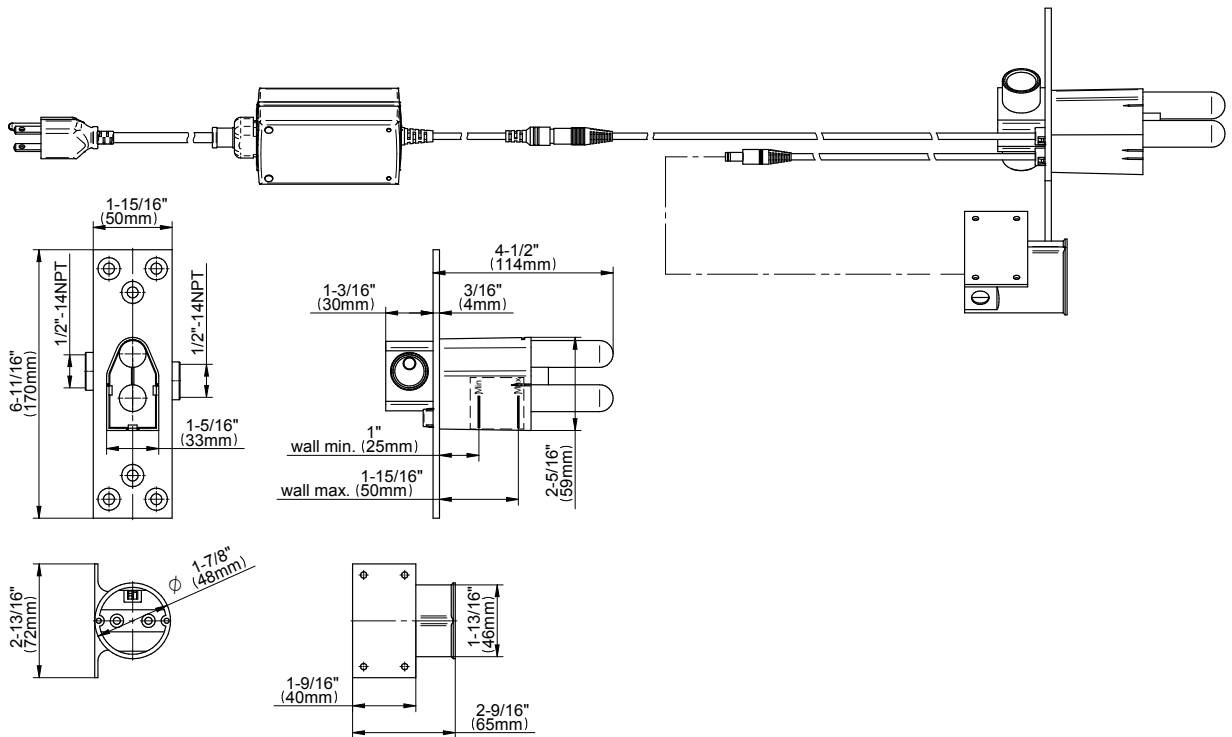
Product Features

- Complete rough for Ametis Ring G-8760-**

Warranty

- Limited lifetime warranty

For complete warranty information go to www.graff-faucets.com/en-nam/warranty



The measurements shown are for reference only. Products and specifications shown are subject to change without notice. Revised 8/2016.

www.graff-faucets.com | phone: 800-954-4723