

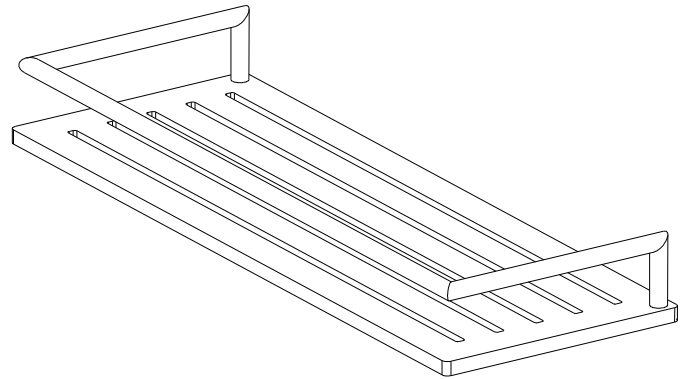
Features

- Solid brass frame
- Basket extends approximately 4-1/2" from the wall
- Basket has a running length of approximately 12"

Codes / Standards Compliance

Meets or exceeds the following at date of manufacture:

- All applicable US Federal and State material regulations



Colors / Finishes

- PC: Polished Chrome
- SN: Satin Nickel

Other: NA

Specified Model

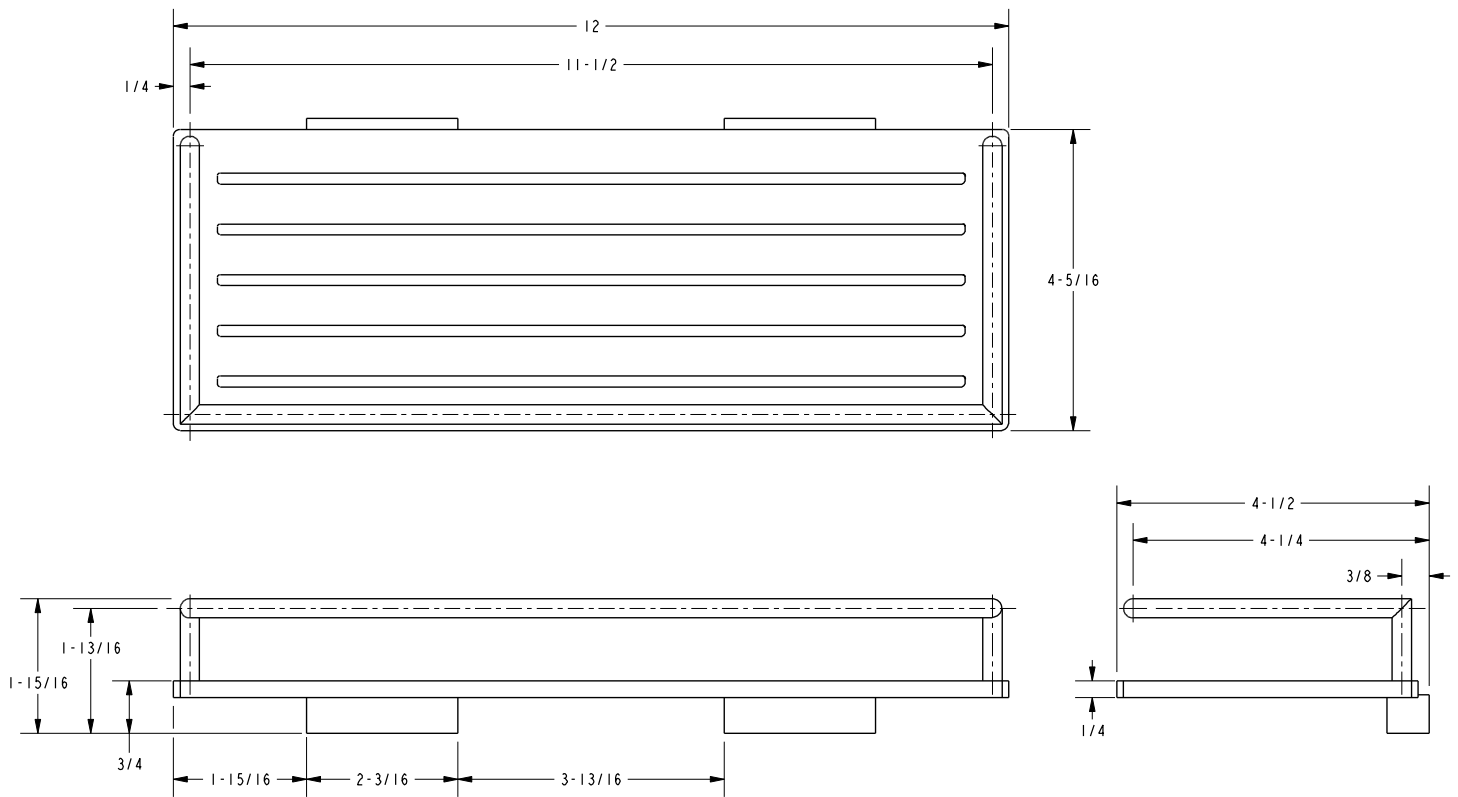
Model	Description	Colors Finishes
28502	Long Basket	<input type="checkbox"/> PC <input type="checkbox"/> SN

Product Specification: Add glass type designator and "Color / Finish" suffix to Model number, below.

The Basket shall be of solid brass construction. Basket Shelf shall incorporate a projected depth of approximately 4-1/2" from the wall a running length of approximately 12". Basket shall be Ginger Model 28502/____.

28502

Product Dimensions *(units are in inches)*



Surface Basket 28502

GINGER®