

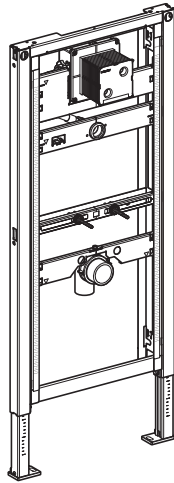
D42521-002 © 04-2010

**cUPC®**

**Carrier Frame for Wall-hung Urinal  
Geberit Model No.: 111.625.00.1**

965.330.00.0 (00)

## Product Data



### Product Specifications

- For installing 2-hole stud mounted urinals with rear water inlet. NOTE: Not for hanger mounted urinals or spud mounted flushometer valves
- For HyTouch urinal controls with plate size 5.1 x 5.1" (130 x 130)
- Fits within minimum 3" (75) plumbing wall
- 1/2" water supply

### Features

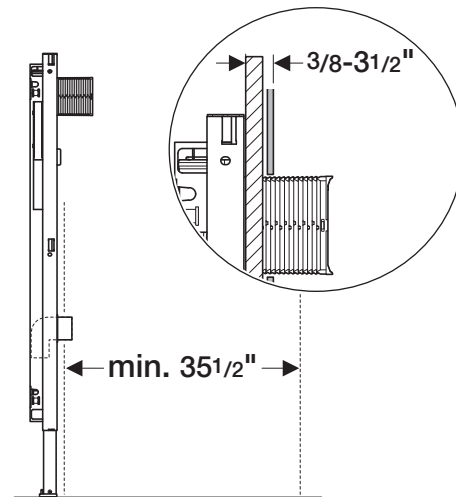
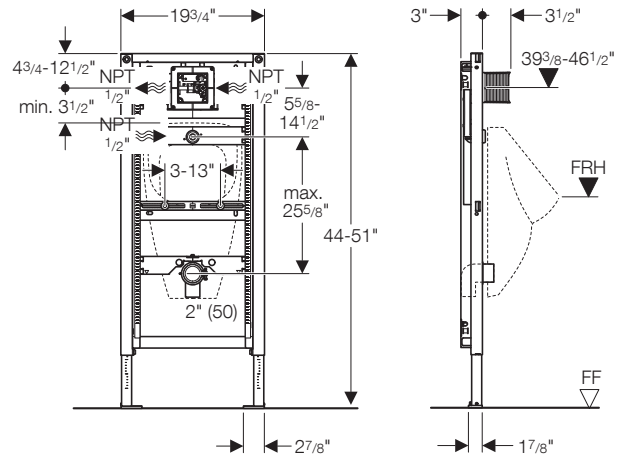
- Square structural 16 gauge powder coated steel frame
- Stop valve with throttle pre-mounted
- Vacuum breaker
- Fully height-adjustable frame, flush valve rough-in, water inlet, mounting studs and waste outlet
- Fastening for outlet bend sound-absorbing
- Mounting hardware

### Warranty

Limited lifetime warranty on carrier.

### Standards

- In compliance with
- ASME A112.6.2
  - ASSE 1037
  - CSA B125.3



### Material Determination

Recommended material for wall surface construction:

- Gypsum / green board
- Cement board
- Tile backer board
- Ceramic tile surface



Wall thickness not to exceed 3 1/2".

## Installation

### Installation Requirements

To install carrier, a minimum 3" (75) wall is required. A 2 x 6" wood frame or metal frame construction is recommended. Studs must be placed 19 3/4" apart (clearance) where carrier will be positioned inside the wall.

### Prepare

These values are needed to set proper values at roughing in:

FF: Finished Floor Height

FRH: Finished Rim Height

UT: Urinal Top Height, based on ceramic model and FRH

FV: Flush Valve Height, subject to conditions below

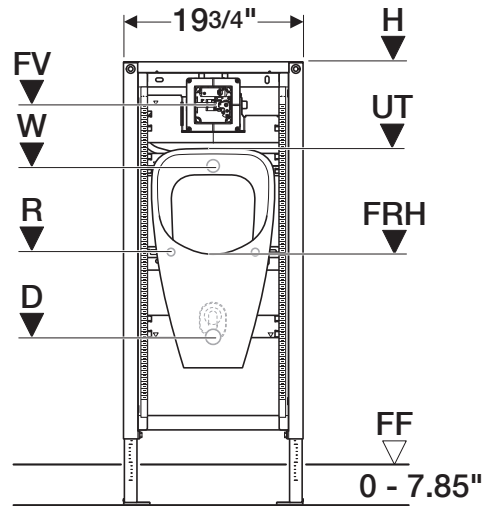
FV\_min: minimum Flush Valve Height =  $UT + 3 \frac{1}{2}"$  (90)

H\_min: minimum Frame Height =  $UT + 8 \frac{1}{4}"$  (210) or  
44 1/8 (1200),  
whichever is greater.

H\_max: maximum Frame Height =  $51 \frac{3}{16}"$  (1300)

For convenience, values are calculated in the included chart.

**i** Ceramic manufacturer specifications are subject to change without notice. Always refer to the ceramic manufacturer specification sheet for the latest information! Geberit is not responsible for inaccuracies or changes in the information contained in the chart.



These dimensions are used later, after frame is installed:

R: Rod Height, based on ceramic model and FRH

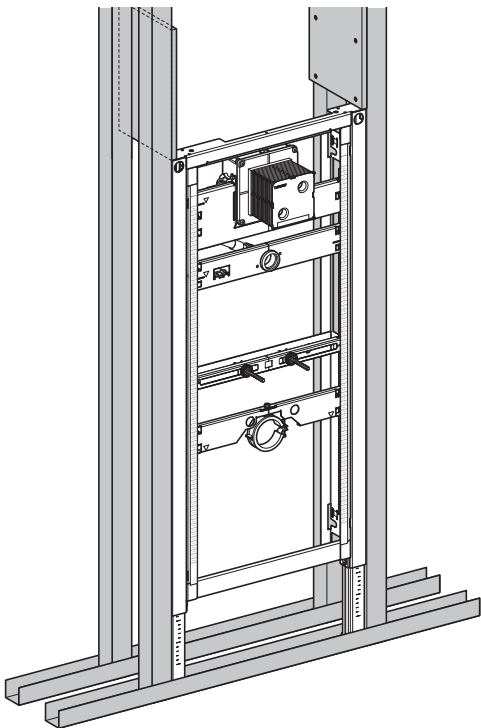
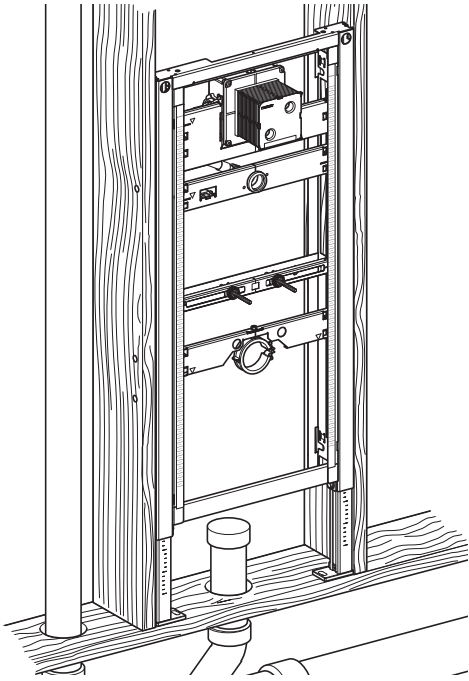
W: Water Inlet Height, based on ceramic model and FRH

D: Drain Outlet Height, based on ceramic model and FRH

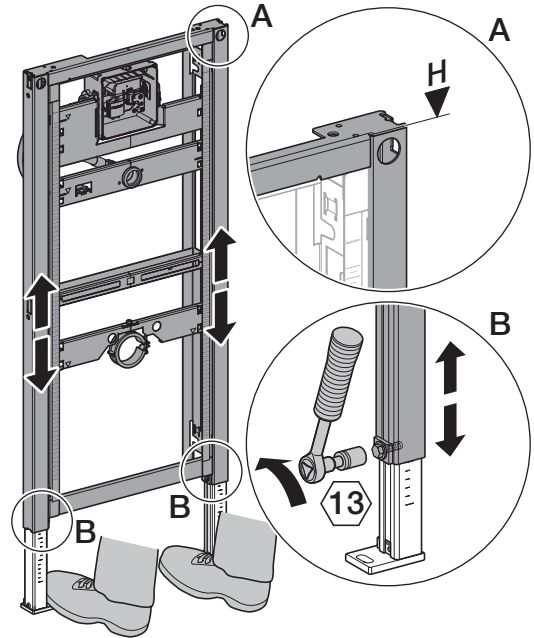
RC: Rod Center-to-Center Distance, based on ceramic model

Manufacturer	Collection	Base Model	Finished Rim Height (FRH)	Urinal Top (UT)	FV_min	H_min	FV_max	H_max	Rods (R)	Water Inlet (W)	Drain Outlet (D)	Rod Centers (RC)
Duravit	Caro (with lid)	083630	17	27 1/16	30 9/16	44 1/8	46 7/16	51 3/16	25 11/16	23 5/16	7 3/8	7 1/8
			24	34 1/16	37 9/16				32 11/16	30 5/16	14 3/8	
	Starck 1	083432	17	23 5/16	26 13/16				13 5/8	19 15/16	6 3/8	4 3/8
			24	30 5/16	33 13/16				20 5/8	26 15/16	13 3/8	
	Starck 1 (with lid)	083532	17	23 5/16	26 13/16				13 5/8	19 15/16	6 3/8	4 3/8
			24	30 5/16	33 13/16				20 5/8	26 15/16	13 3/8	
	Vero (no lid)	280032	17	24 1/2	28				13 5/8	22 11/16	6 3/4	7 1/2
			24	31 1/2	35				20 5/8	29 11/16	13 3/4	
	Vero (with lid)	281032	17	24 1/2	28				13 5/8	22 11/16	6 3/4	7 1/2
			24	31 1/2	35				20 5/8	29 11/16	13 3/4	
Villeroy & Boch	Aveo	7514	17	25 7/8	29 3/8	44 1/8	46 7/16	51 3/16	16	22 5/16	5 3/4	9 1/2
			24	32 7/8	36 3/8				23	29 5/16	12 3/4	
	Hommage	7553	17	25 11/16	29 3/16				19 3/4	22 7/8	6 9/16	6 1/8
			24	32 11/16	36 3/16				26 3/4	29 7/8	13 9/16	
	Century	7553	17	25 11/16	29 3/16				19 3/4	22 7/8	6 9/16	6 1/8
			24	32 11/16	36 3/16				26 3/4	29 7/8	13 9/16	
	Oblic	7531	17	25 11/16	29 3/16				14 7/16	22 1/8	5	5 1/2
			24	32 11/16	36 3/16				21 7/16	29 1/8	12	
	Pure Stone	7514	17	25 7/8	29 3/8				16	22 5/16	5 3/4	9 1/2
			24	32 7/8	36 3/8				23	29 5/16	12 3/4	
	Subway	7513	17	26 7/16	30				18 3/16	23 7/8	7 3/8	7 1/8
			24	33 7/16	37				25 3/16	30 7/8	14 3/8	

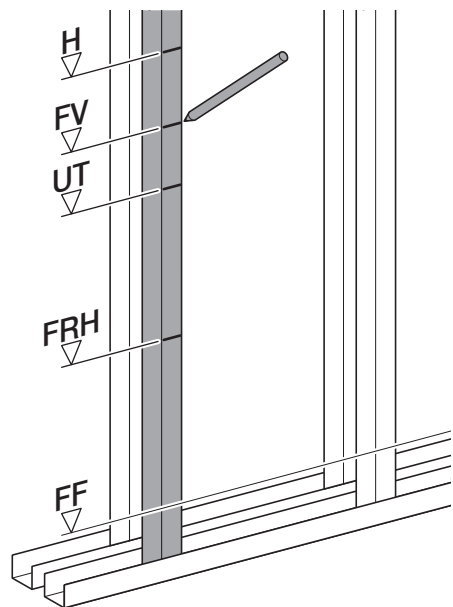
## Carrier Installation

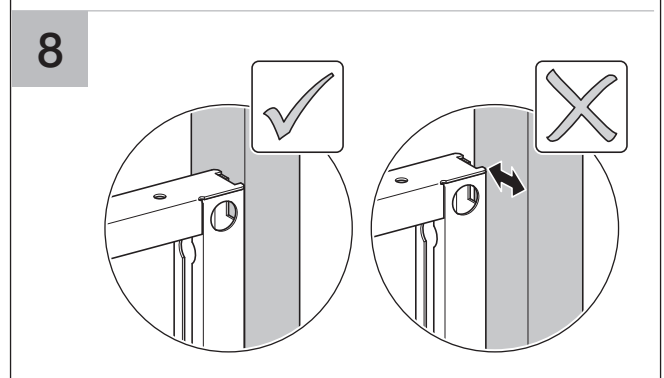
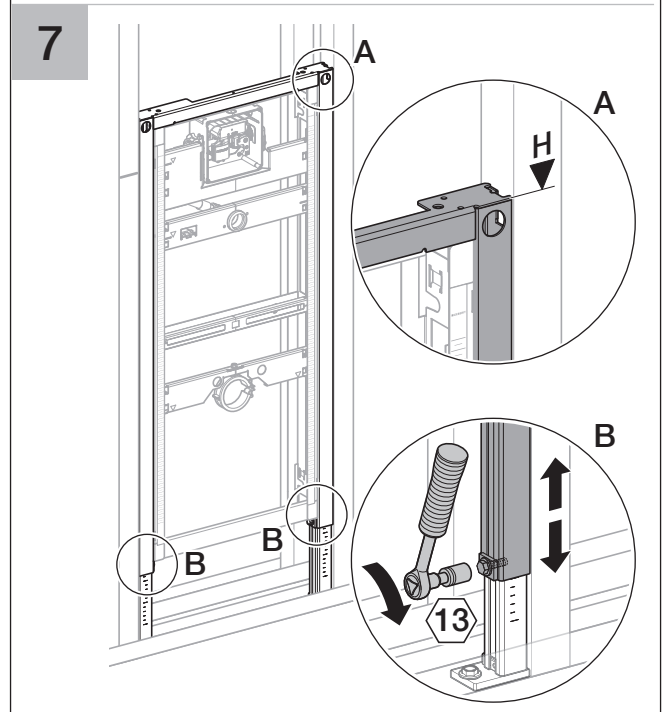
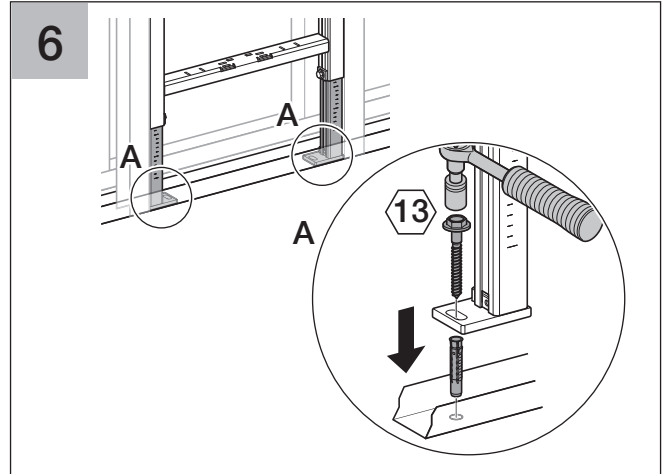
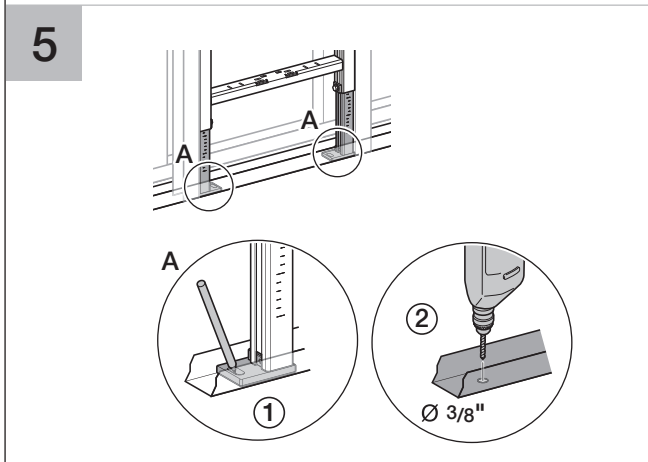
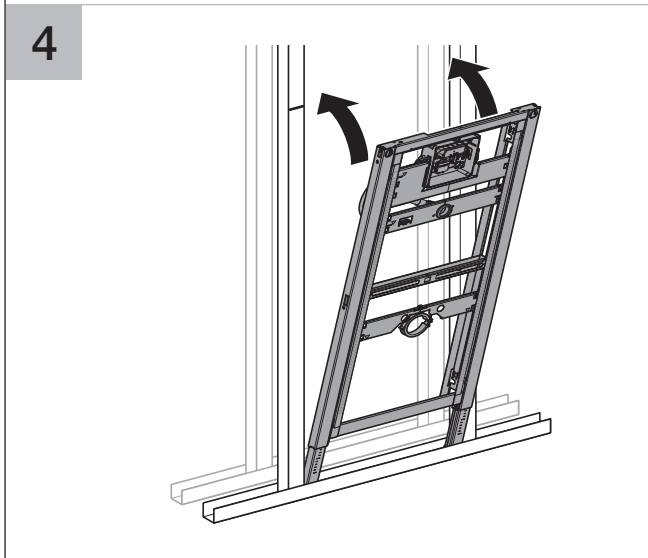
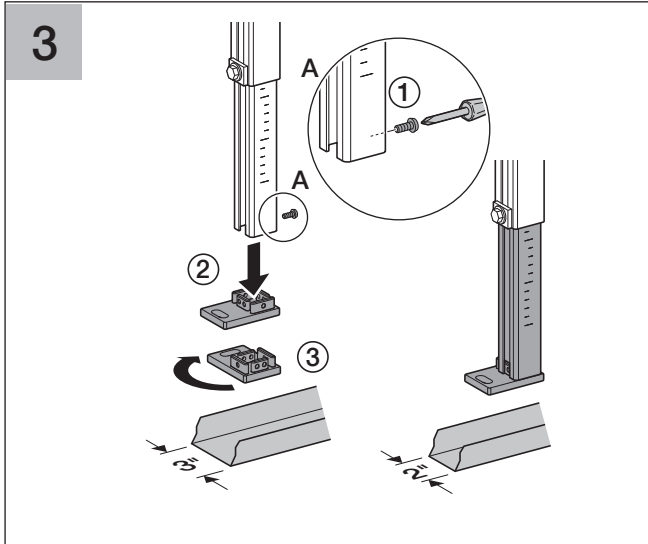


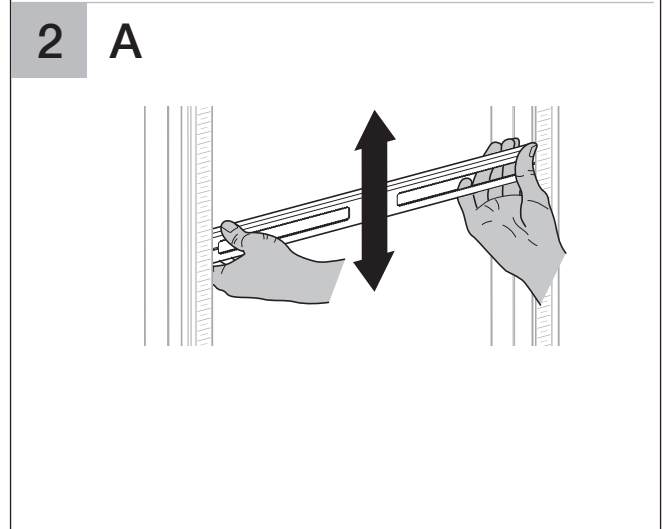
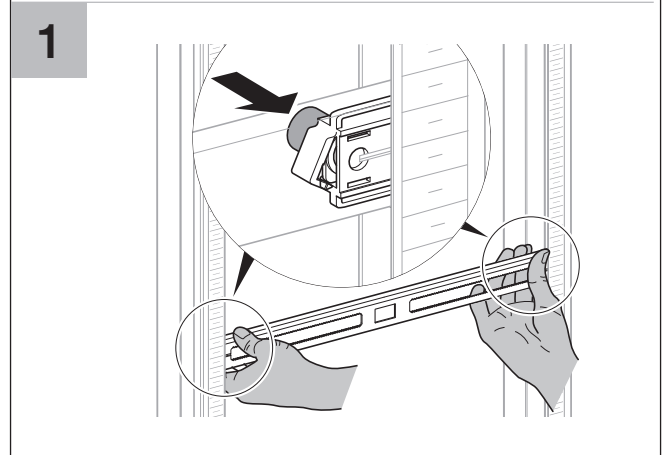
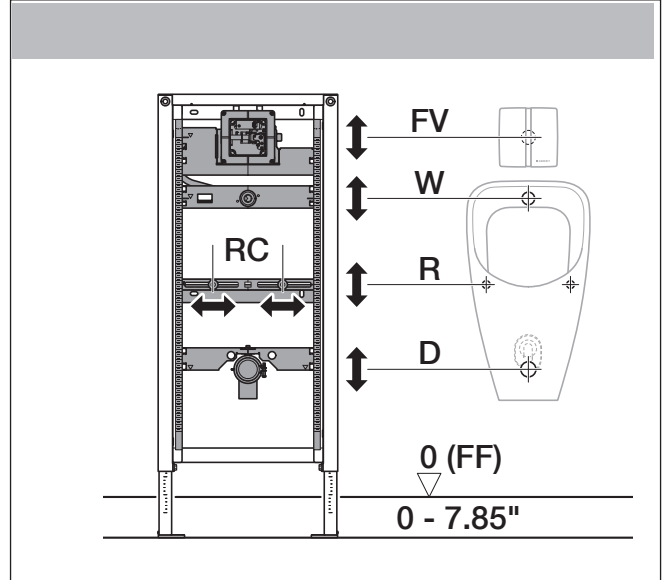
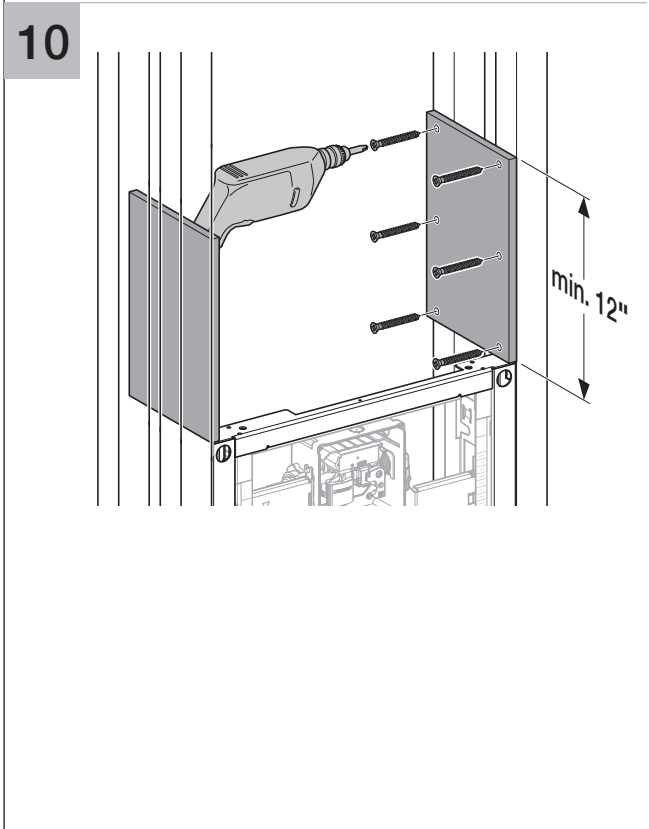
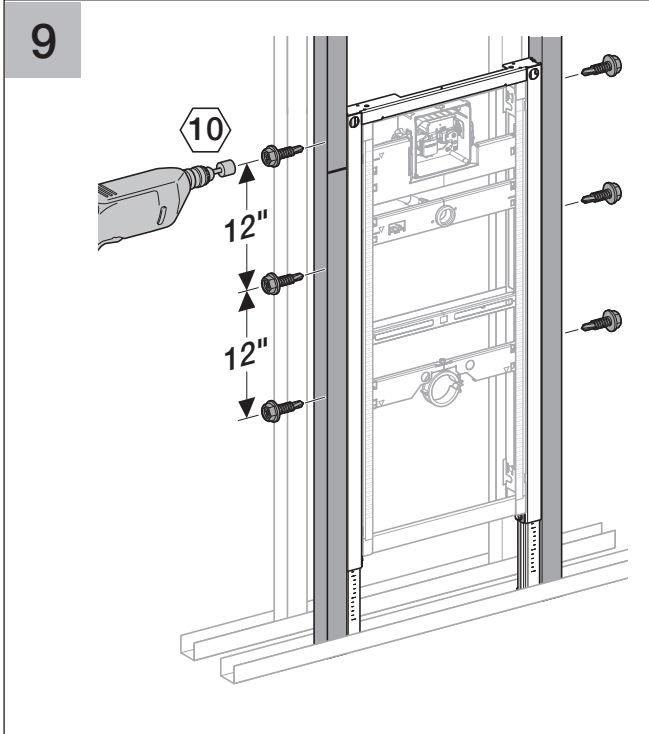
1

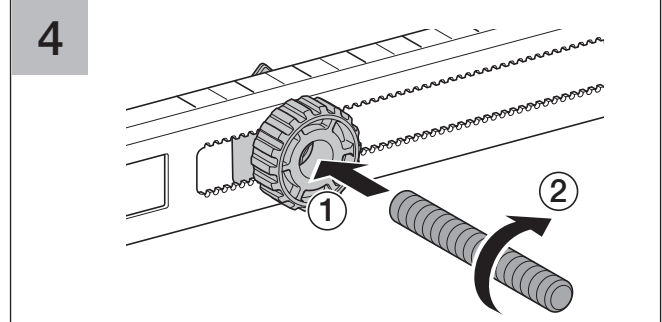
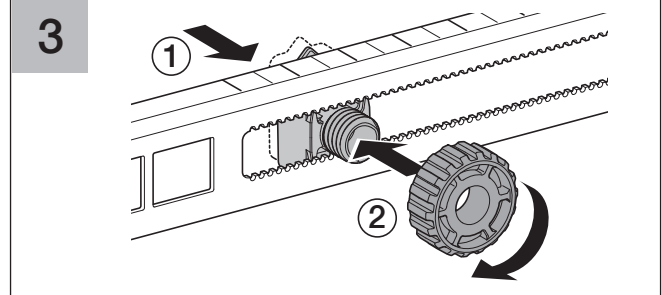
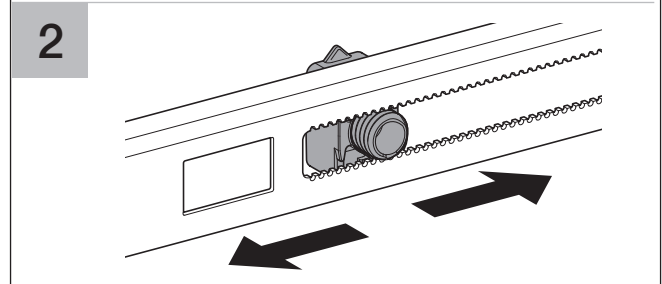
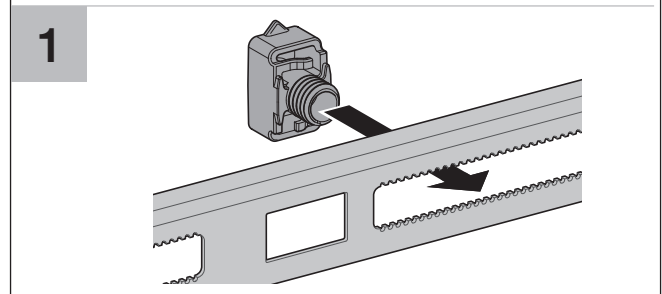
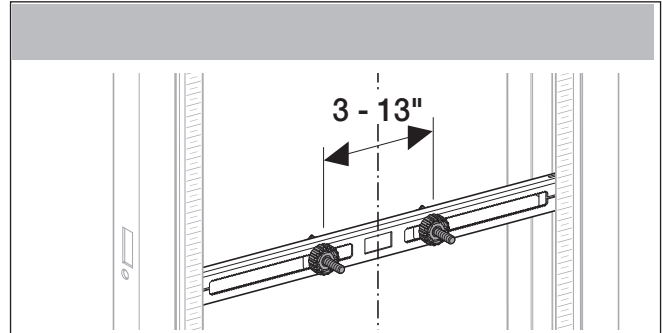
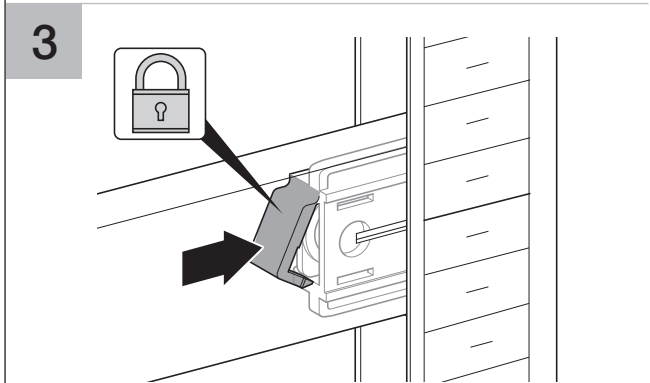
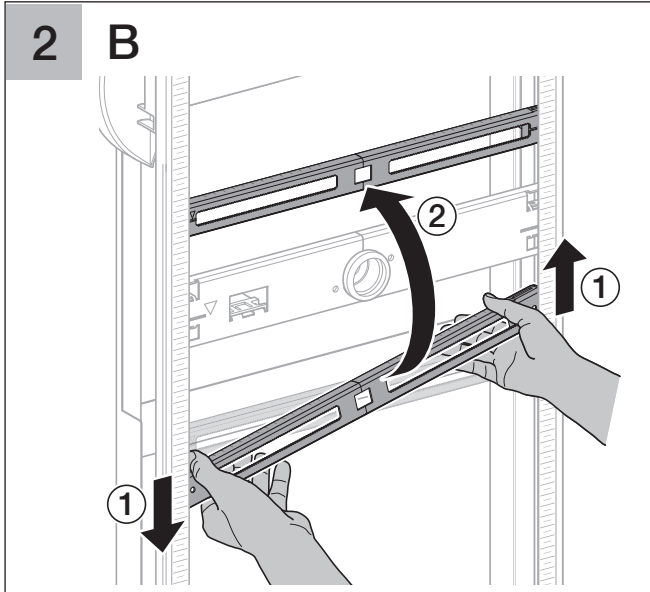


2

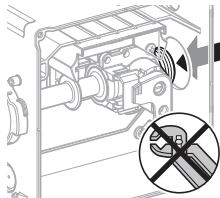






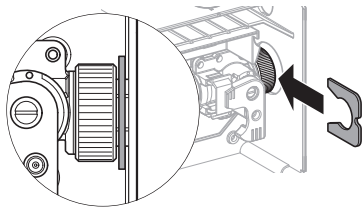


1

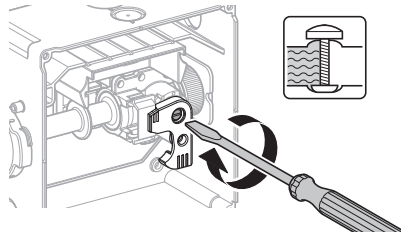


Water supply connection  
NPT 1/2"

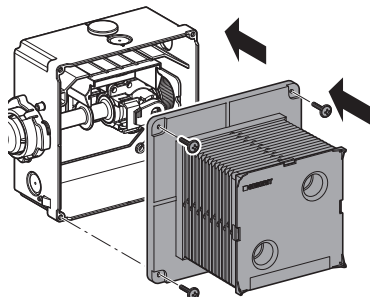
2



3

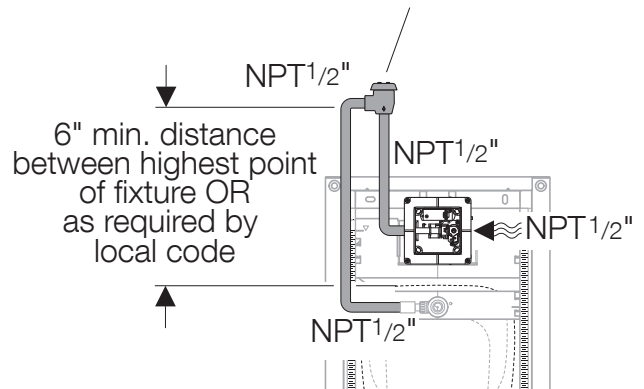


4



ASSE 1001 listed Atmospheric  
Vacuum Breaker (included)

Watts 288/89A  
or Chicago Faucets 892-CP



## Contact

Geberit  
2100 Clearwater Drive, Des Plaines, IL 60018-5999  
www.geberit.us  
Phone: (847) 803 5000 • Fax: 847/803-5454  
For Technical Assistance 800 / TEC-TRUE (800-832-8783)