



GERBER

43-199-W Series Maxwell® SE Two Handle Lavatory Faucet

Features:

- Three hole installation
- Washerless cartridges G0097497
- Includes 50-50 pop-up drain with color-matching cap and black tailpiece; includes plastic drain with color-matching cap and grey tailpiece; includes metal pop-up drain with color-matching cap and rough brass tailpiece; or no drain
- 4" center to center installation range
- 1.2 gpm (4.5 L/min) maximum aerator GA50096355N @ 60 psi
- Chrome finish
- Acrylic Handles
- Lead free waterway per NSF/ANSI 372
- Fully ADA compliant
- Limited lifetime warranty
- Meets CEC requirements

Standards & Certifications:

- ASME A112.18.1M
- NSF/ANSI 372
- IAPMO/cUPC
- ICC/ANSI A117.1
- EPA/WaterSense
- MASS Code

Catalog Numbers:

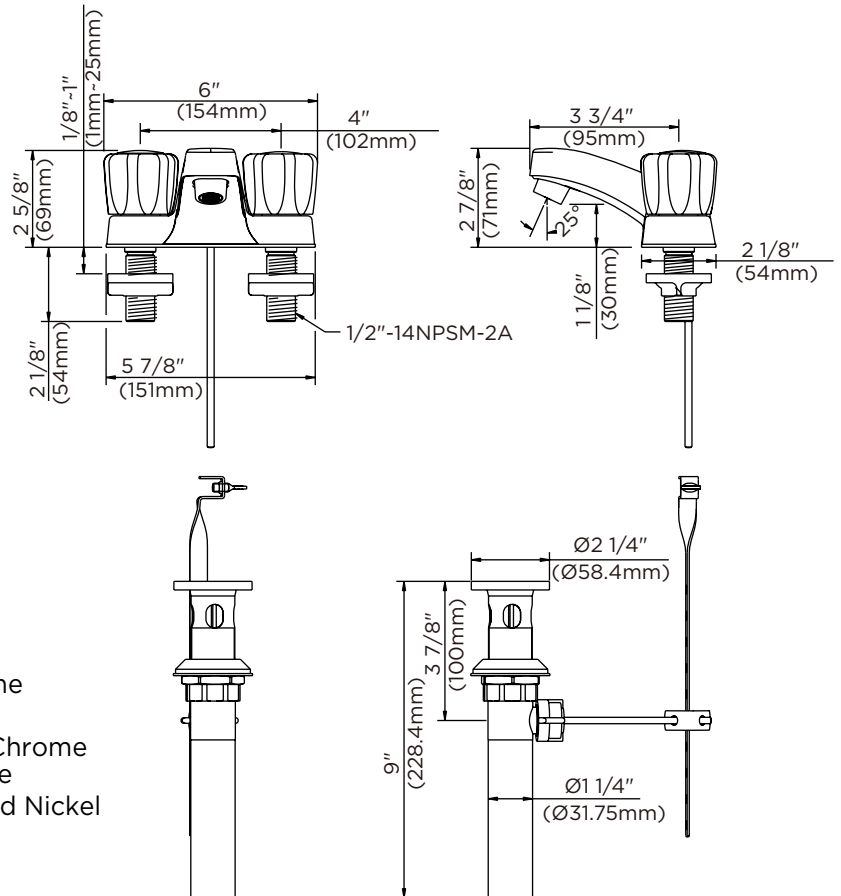
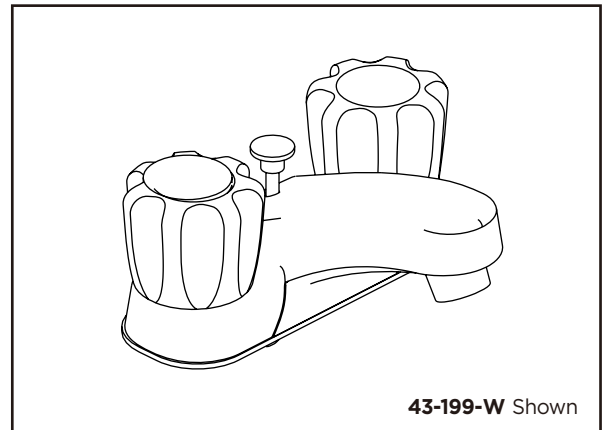
- 43-199-W** 50/50 Pop-Up GA505020, Chrome
- 43-190-W** Less drain, Chrome
- 43-191-W** Plastic Pop-Up drain G0097770, Chrome
- 43-192-W** Metal Pop-Up GA605007, Chrome
- 43-192-W-BN** Metal Pop-Up GA605007, Brushed Nickel

Prefixes Available:

None

Suffixes Available:

- W** Washerless
- BN** Brushed Nickel



Job Name	
Date	
Model Specified	
Quantity	
Customer	
Contractor	
Architect/engineer	

Gerber Toll Free Technical Support: 888-648-6466
www.gerberonline.com