



EVERPURE SINGLE-TEMP FAUCETS

SINGLE-TEMPERATURE FILTER FAUCETS FOR THE HOME

Pentair Everpure* single-temperature filter faucets deliver a steady stream of premium quality filtered water from Everpure commercial grade water filtration systems. These separate filter faucets are available in stunning finishes and colors to match today's high-end kitchen designs.



FEATURES/BENEFITS

- Versatile design
- Selection of beautiful finishes to match the most popular designer faucets
- Lead-free
- Forged brass construction
- Aerator tip provides even, clear stream of filtered water
- Easy installation
- Compatible with reverse osmosis systems with the use of a separate air gap
- Certified to NSF/ANSI 61

SPECIFICATIONS

- **Flow Rate**
0.5 gal/min (1.9 L/min)
- **Operating Pressure**
20-90 psi (1.38-6.21 bar)
- **Temperature Range**
50-90°F (10-35°C)
- **Installation**
1/2" or standard sink hole installation



EV997063
Brushed
Nickel Finish



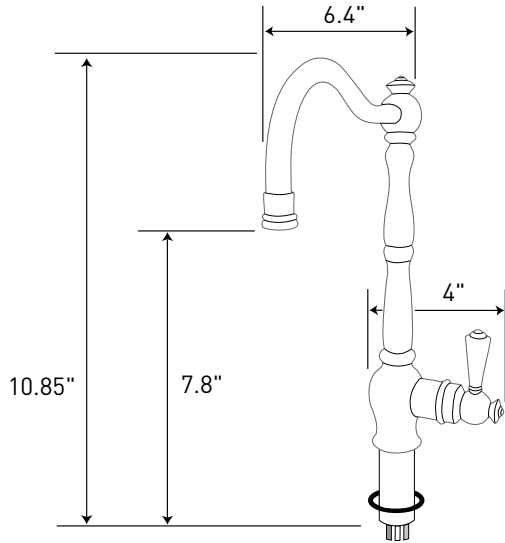
EV997059
Brushed
Nickel Finish



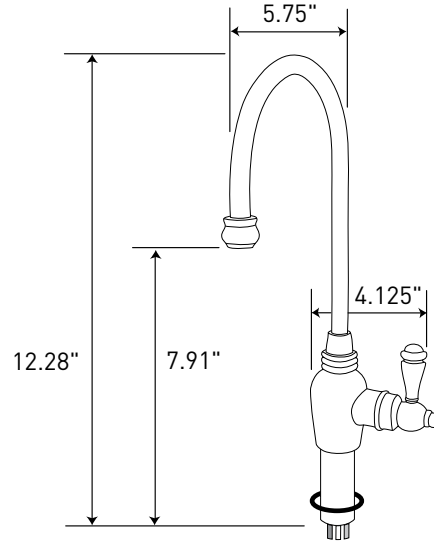
EV997060
Oil Rubbed
Bronze Finish

FAUCET DIMENSIONS

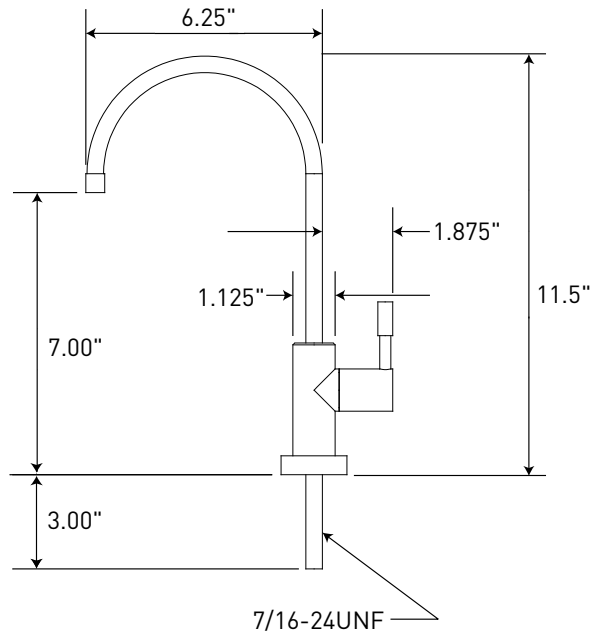
Victorian Series



Classic Series



Designer Series



WATER QUALITY SYSTEMS

5730 NORTH GLEN PARK ROAD, MILWAUKEE, WI 53209

P: 262.238.4400 | F: 262.238.4404

WATERPURIFICATION.PENTAIR.COM

CUSTOMER CARE: 800.279.9404 | tech-support@pentair.com

© 2015 Pentair Residential Filtration, LLC. All rights reserved.

*For a detailed list of where Pentair trademarks are registered, please visit waterpurification.pentair.com.

Pentair trademarks and logos are owned by Pentair, Inc. or its affiliates. Third party registered and unregistered trademarks and logos are the property of their respective owners.

EV314066 REV D AU15