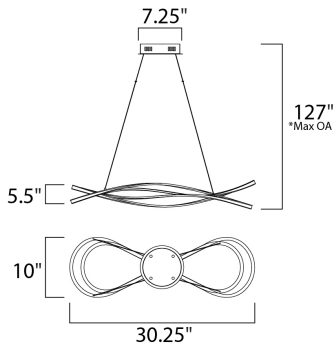




**PRODUCT DESCRIPTION**

Take a ride on this fun lighting collection featuring channel of Polished Chrome skillfully formed in a twisted design. Unique in its approach, light is distributed in all directions and is fully dimmable.



\*max overall height

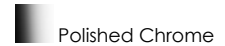
**MEASUREMENTS**

- DIMENSION : 30.25" L x 10" W x 5.5" H
- MAX OAH : 127" OAH
- CANOPY : 7.25" W x 2" H x 7.25" L
- HANGING WEIGHT : 7.5 lb

**LAMPING**

- INPUT VOLTAGE : 110-277V
- LUMENS : 3,360 Rated (2,140 Del.)
- BULB : 1 x 48W LED PCB Integrated , 48W Total
- BULB INCLUDED : (Integrated)
- DIMMABLE : Only at 120V with ELV
- CRI : 90+ CRI
- COLOR\_TEMP : 3000K

**FINISHES OPTION**



**MATERIAL**

Steel+Aluminum +Silicone

**RATINGS**

cETLus  
Damp Location



**ADDITIONAL**

ADJUSTABLE  
RATED LIFE 27000 Hours  
OPERATING TEMPERATURE:  
-20°C (-4°F), 40°C (104°F)

Always consult a qualified electrician before installing any lighting product.



**WESTERN DISTRIBUTION CENTER (HEADQUARTER)**  
253 NORTH VINELAND AVE | CITY OF INDUSTRY, CA 91746  
**EASTERN DISTRIBUTION CENTER**  
4200 SHIRLEY DR. | ATLANTA, GA 30336  
P. 626.956.4200 | F. 626.956.4225 | et2online.com