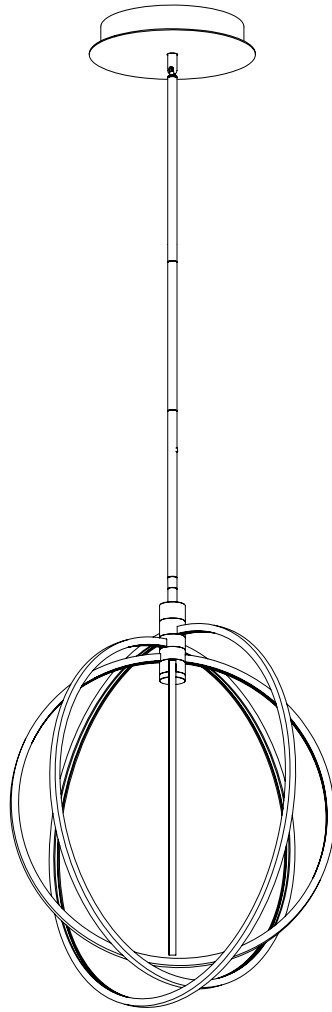


PRODUCT NAME: Concentric
ITEM NUMBER: E24048-BZ

Please consult your electrician for hanging fixture and wiring.



WARNING: WIRES NEED TO BE CONNECTED TO DRIVER FOUND IN CANOPY AND SHOULD NOT CONECT DIRECTLY TO POWER SOURCE OR A SHORT MIGHT OCCUR.

The fixture is designed to dim with a standard Triac forward phase dimmer. Dimming levels will vary by dimmer.

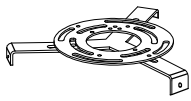
Below is a list of recommended dimmers:

- Lutron MACL-153M
- Lutron DVL-153P
- Lutron SCL-153P
- Leviton IPL06-10Z
- Leviton 6674-POW

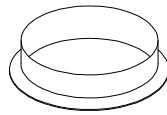
Due to the inrush current wattage should not exceed 150 watts of product for a 600 watt dimmer.

80W LED

IMPORTANT: Turn off the power at the main fuse or circuit breaker box before starting installation



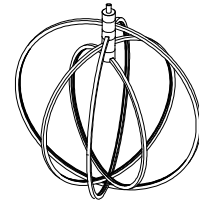
(A)
Bracket



(B)
Canopy

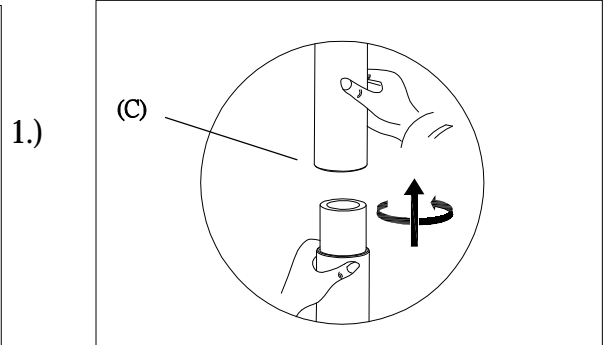
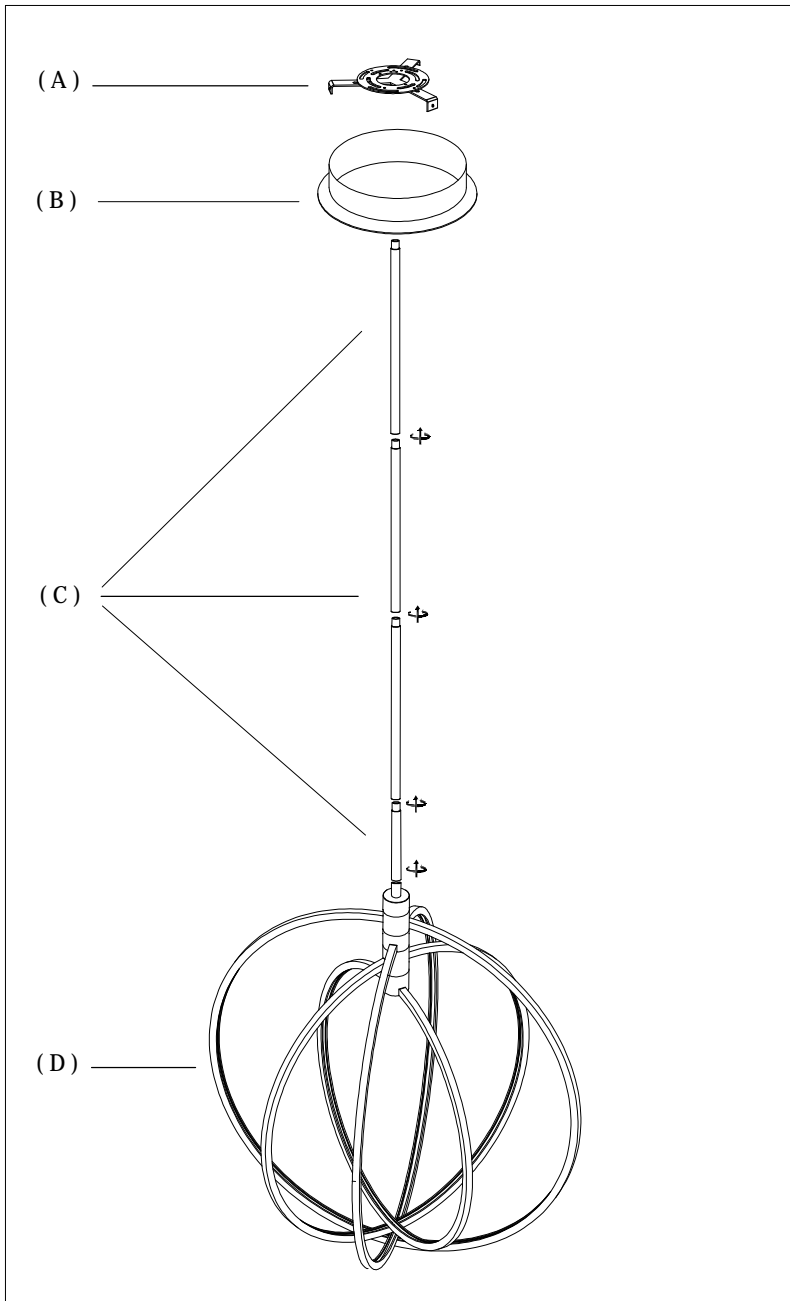


(C)
Stem

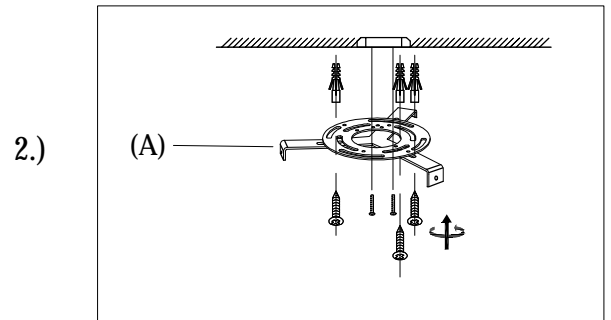


(D)
Body

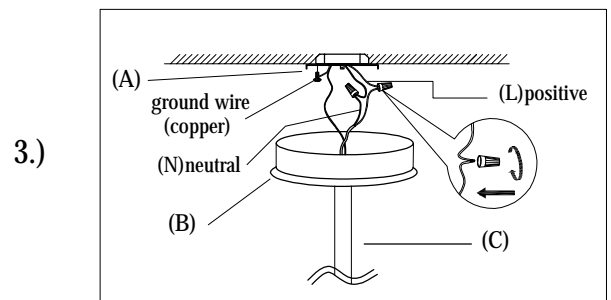
Locate all hardware & components before discarding packaging



Step.1: Run wire through the stems (C) and combine stem lengths to desired mounting height.



Step.2: Remove the mounting bracket (A) from canopy and install to electrical box.



Step.3: Wire fixture to wires in outlet box. Install green wire to ground screw.

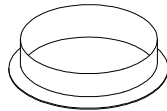
Cleaning & Care:

Clean with soft cloth and a mild detergent.
Do not use abrasive cleaner.

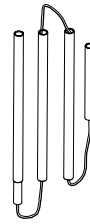
IMPORTANT: Turn off the power at the main fuse or circuit breaker box before starting installation



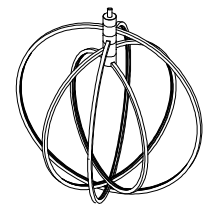
(A)
Bracket



(B)
Canopy

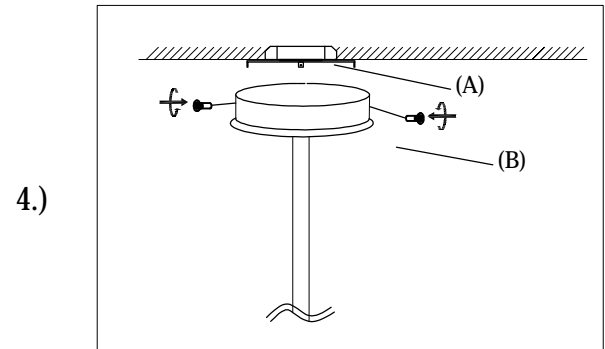
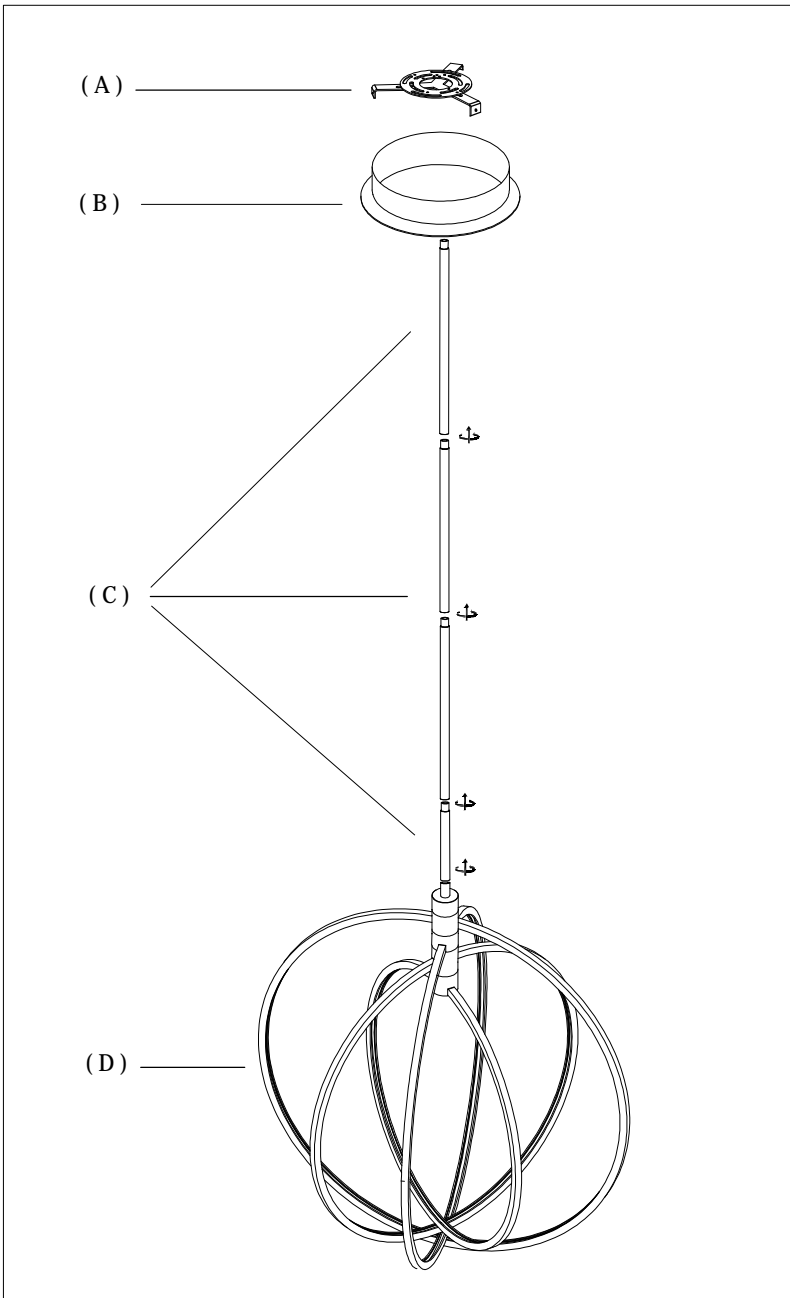


(C)
Stem

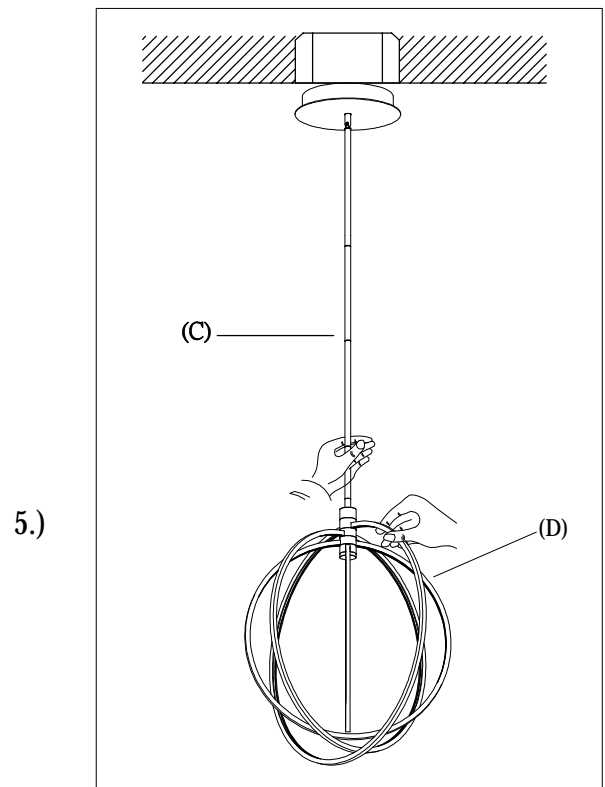


(D)
Body

Locate all hardware & components before discarding packaging



4.) Step 4: Install canopy (B) to bracket (A) and tighten screws at the ends of canopy to secure.



5.) Step 5: Hold the stem and adjust the Body (D) to the preferred angle.

Cleaning & Care:
Clean with soft cloth and a mild detergent.
Do not use abrasive cleaner.