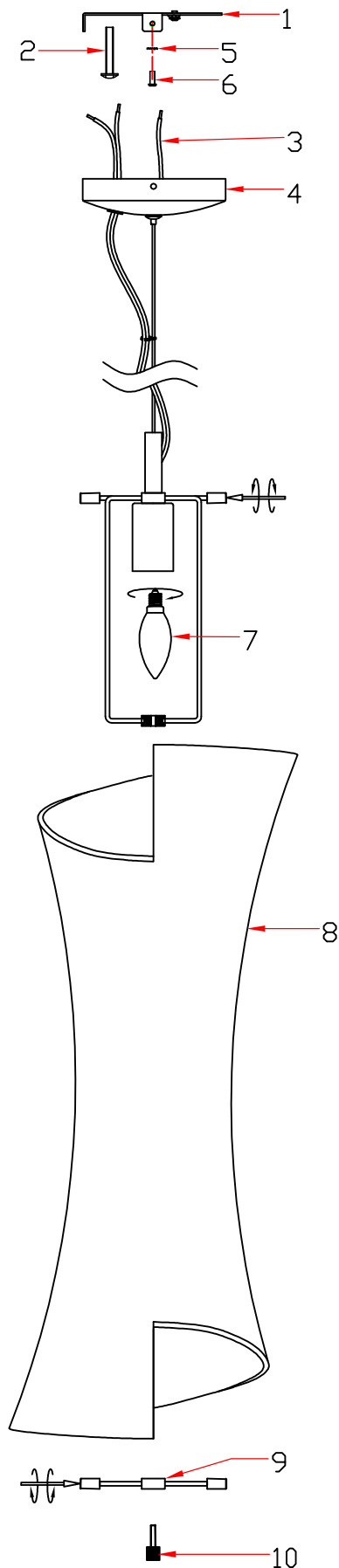


INSTALLATION INSTRUCTION

Item No.: P1232-1S



FEATURE

● Lamp Type: E12 1 x Max. 60W