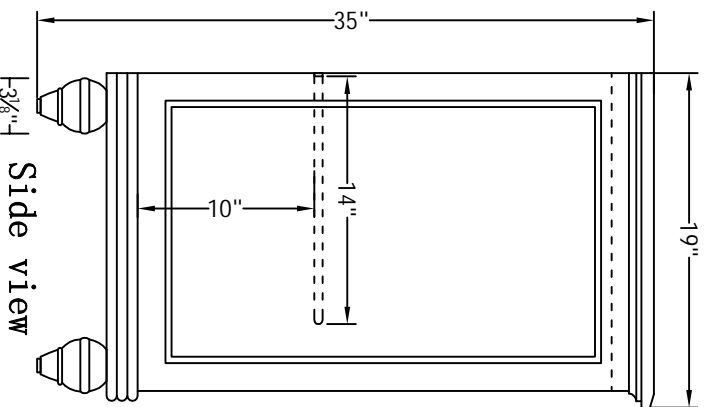
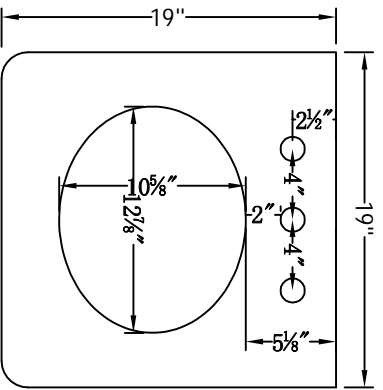


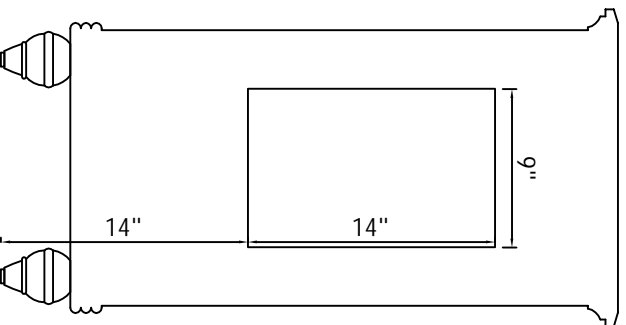
Front view



Side view



Back view



DWG. NO.

MODEL NO:

VF12319GR

SPEC NO:

QUANTITY:

DATE:

CHECKED BY:

FOR PROPOSAL ONLY ALL DIMENSIONS TO BE VERIFIED

PROJECT:

COLOR:

FINISH:

REVISIONS

1	
2	
3	
4	
5	
6	

 **ELEGANT**
FURNITURE & LIGHTING™

500-550 E. Erie Avenue

Philadelphia PA 19134

1-888-388-3390

Model #	VF12319GR	Finish	Light grey	Mirror type	N/A	Beveled glass	N/A	Frame material	Solid wood and MDF
Solid wood construction	Solid wood legs	Drawers Included	NO	Number of Drawers	0	Joinery Type	N/A	Drawer railing	N/A
Drawer Width (in)	N/A	Drawer Depth (in)	N/A	Drawer Height (in)	N/A	Shel ves	Yes	Number of Shel ves	1
Doors included	Yes	Number of Doors	1	Finished Back	Light grey	Hardware Finish	Brushed steel finish	Assembly	No
Countertop included	Yes	Countertop material	Granite	Number of Sinks	1	Sink material	Porcelain	Sink Width	15.5"
Sink Depth	12-3/8"	Sink height	7	accommodated Sink hole size	1.75	Mounting type	Undermount	Backsplash	No
Backsplash Width	N/A	Backsplash Depth	N/A	Backsplash Height	N/A	Drain assembly included	NO	Faucet included	NO
Faucet type	NO	Faucet hole size	1.5	Faucet hole spacing	8"3 Holes	Product Width	19	Product Depth	19
Product Height	35	Package LENGTH (inches)	22.5	Packaged WIDTH (inches)	22.5	Packaged Height (inches)	40.25	Package Weight (lbs)	95.48
Product Weight	69.08	Shipment Type	Small Parcel	Table/Desk: top width	19"	Table/Desk top Finish	Cashmere white	glass top tempered	N/A
table top maximum weight	66 lbs	Table: seating capacity	1	upholstery color	N/A	upholstery pattern	N/A	cushion material	N/A
base finish	Light grey	powder coated finish	NO	base material	MDF	top material	Granite	wood species	Rubberwood
tip over restraint	NO	shape of top	Rectangle	lift top	NO	shelf material	MDF	adjustable shel ves	Yes
Drawer Handle design	Knobs	safety stop	NO	felt lined drawers	NO	drawer glide extension	N/A	drawer glide material	N/A
drawer dividers	N/A	Drawer Interior finish	N/A	Ball Bearing Glides	N/A	soft close drawer glides	N/A	Number of cabinets	1
shelf width (in)	13-1/4"	shelf depth (in)	14"	shelf height (in)	10"	Shelf thickness	1/2"	Any certification?	NO
California Proposition 65 warning required	YES	Drawer Interior Width (in)	N/A	Drawer Interior Depth (in)	N/A	Drawers Interior Height (in)	N/A	cabinet interior width	13-1/4"
cabinet interior depth	14"	cabinet interior height	20-1/4"	leg width	3-1/8"	leg depth	3-1/8"	leg height	3-7/8"
gloss finish	NO	stackable	NO	leg design	Ball feet	Armori res: ring slots	N/A	Armori res: hooks	N/A
armori res: mirror dimensions	N/A	door thickness	7/8"	false drawers?	NO	Vanity countertop edge style	Flat	# of faucet holes	3

DWG. NO.

MODEL NO:
VF12319GR

SPEC NO:

QUANTITY:

DATE:

CHECKED BY:

FOR PROPOSAL ONLY ALL DIMENSIONS TO BE VERIFIED

PROJECT:

COLOR:

FINISH:

REVISIONS

1	
2	
3	
4	
5	
6	



500-550 E. Erie Avenue
Philadelphia PA 19134
1-888-388-3390