

LIVING DISTRICT

Collection: ROHAN

Installation manual for:

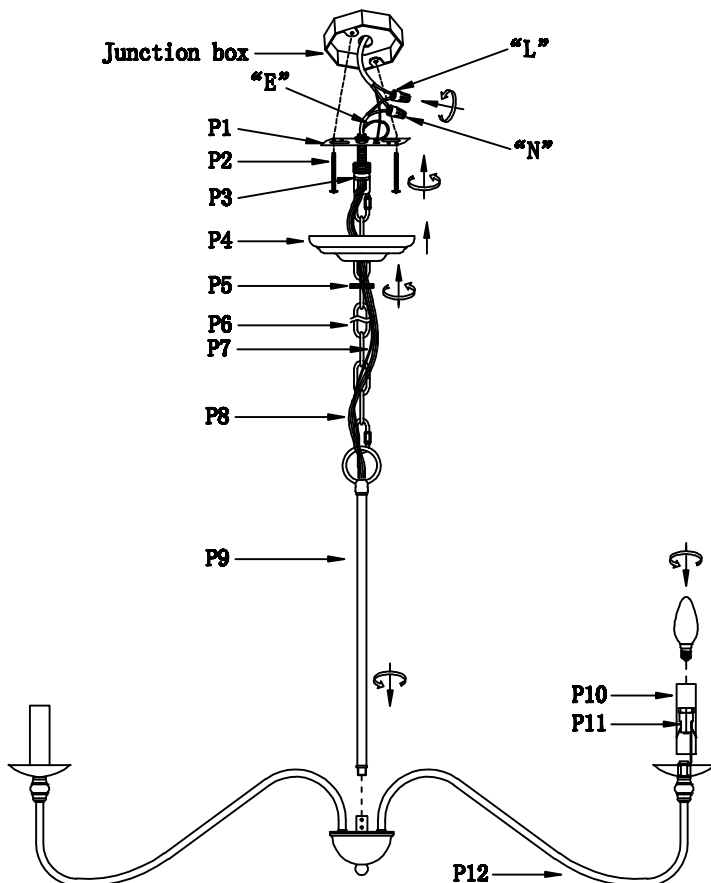
LD5006D36 D36"H19"L6

Installation instructions:

1. Install the metal tube (P9) on the lampbody (P12)
2. Black wire from ceiling(junction box) attaches to "L" wire from the fixture.
3. White wire from ceiling(junction box) attaches to "N" wire from the fixture.
4. "E" wire from the fixture is attached to the mounting bracket and an additional "E" wire from the mounting bracket must be secured to the junction box.
5. Secure mounting bracket to the junction box.
6. Insert screws (P2) in side of top unit the mounting bracket.
7. Fix the loop (P3) to screw tube, then cover the canopy (P4) and fix it by canopy ring (P5).
8. Install the bulbs(not included) into the lamp fixture.

The end!

PARTS LIST



| part | picture | Description | Qty | Check list |
|------|---------|--------------------------------|-----|------------|
| P1 | | 14" Mounting bracket | 1 | |
| P2 | | 5/32-32 Screw | 2 | |
| P3 | | Canopy loop (Canopy part) | 1 | |
| P4 | | 5.3" canopy plat | 1 | |
| P5 | | Canopy ring (Canopy part) | 1 | |
| P6 | | L59"CHAIN04P Plain Design | 1 | |
| P7 | | ground wire | 1 | |
| P8 | | Power Cord 79" SPT-1-18# Black | 1 | |
| P9 | | L16.5" tube | 1 | |
| P10 | | D1" x L3.5" tube | 6 | |
| P11 | | E12 lampholder | 6 | |
| P12 | | D36" x H9" lampbody | 1 | |
| | | | | |
| | | | | |
| | | | | |
| | | | | |
| | | | | |
| | | | | |
| | | | | |
| | | | | |
| | | | | |

"L" = Hot wire
 "N" = Neutral wire
 "E" = Ground wire