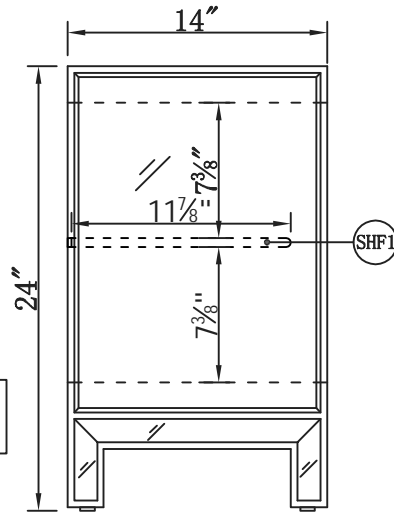
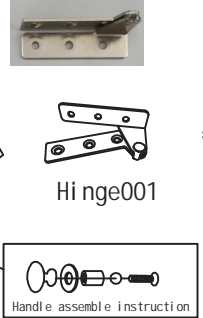
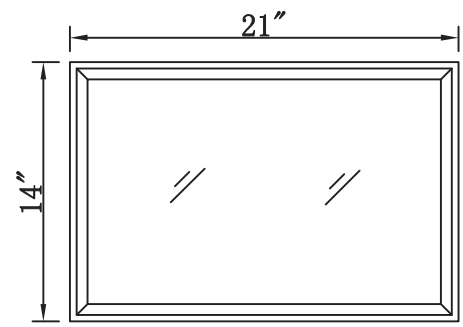


Front view



Side view



Top view

DWG. NO.

MODEL NO:  
MF72016G

SPEC NO:

QUANTITY:

DATE:

CHECKED BY:

FOR PROPOSAL ONLY ALL DIMENSIONS TO BE VERIFIED

PROJECT:

COLOR:

FINISH:


REVISIONS

①	
②	
③	
④	
⑤	
⑥	



500-550 E. Erie Avenue  
Philadelphia PA 19134  
1-888-388-3390

Model #	MF72016G	Number of Doors	1	Table: seating capacity	N/A	felt lined drawers	N/A	cabinet interior height	14.875
Finish	gold	Finished Back	YES	upholstery color	N/A	drawer glide extension	N/A	cabinet interior width	16.75
Hand Painted	Yes	Hardware finish	Crystal	upholstery pattern	N/A	drawer glide material	N/A	cabinet interior depth	11.875
Mirror type	Clear mirror	Assembly	NO	cushion material	N/A	drawer dividers	N/A	leg height	3.375
Beveled glass	Yes	Product Width(")	21	base finish	gold	Drawer Interior finish	N/A	leg width	2
Frame material	Solid wood and MDF	Product Depth(")	14	powder coated finish	NO	Ball Bearing Glides	N/A	leg depth	2
Solid wood construction	Solid wood legs	Product Height(")	24	base material	MDF	soft close drawer glides	N/A	glass finish	Clear
Drawers Included	NO	Package LENGTH (")	26	top material	mirror	Number of cabinets	1	stackable	NO
Number of Drawers	0	Packaged WIDTH(")	18.5	wood species	Rubberwood	shelf height	7.375	leg design	Square legs
Joinery Type	N/A	Packaged HEIGHT(")	30	tip over restraint strap	NO	shelf width	16.75	Armoires: ring slots	N/A
Drawer railing	N/A	Package Weight(lbs)	60	shape of top	Rectangle	shelf depth	11.875	Armoires: hooks	N/A
Drawer Width(")	N/A	Product Weight(lbs)	43	lift top	NO	Shelf thickness	0.5	armoires: mirror dimensions	N/A
Drawer Depth(")	N/A	Shipping Type	Small Parcel	shelf material	MDF	Any certification?	NO	door thickness	0.875
Drawer Height(")	N/A	table top width	14	adjustable shelves	NO	California Proposition 65 warning required	YES	false drawers?	YES
Shelves	Yes	table top finish	Clear mirror	Drawer Handle designs	Knobs	Drawers Interior Height	N/A	sink type	N/A
Number of Shelves	1	glass top tempered	NO	Door Knob Model	KB109	Drawer Interior Width	N/A	# of faucet holes	N/A
Doors included	Yes	table top maximum weight	33LBS	safety stop	YES	Drawer Interior Depth	N/A	Touch up paint	MFP20

<b>DWG. NO.</b>	
<b>MODEL NO:</b> MF72016G	
<b>SPEC NO:</b>	
<b>QUANTITY:</b>	
<b>DATE:</b>	
<b>CHECKED BY:</b>	
<b>FOR PROPOSAL ONLY ALL DIMENSIONS TO BE VERIFIED</b>	
<b>PROJECT:</b>	
<b>COLOR:</b>	
<b>FINISH:</b>	
<b>REVISIONS</b>	
①	
②	
③	
④	
⑤	
⑥	
	
500-550 E. Erie Avenue	
Philadelphia PA 19134	
1-888-388-3390	