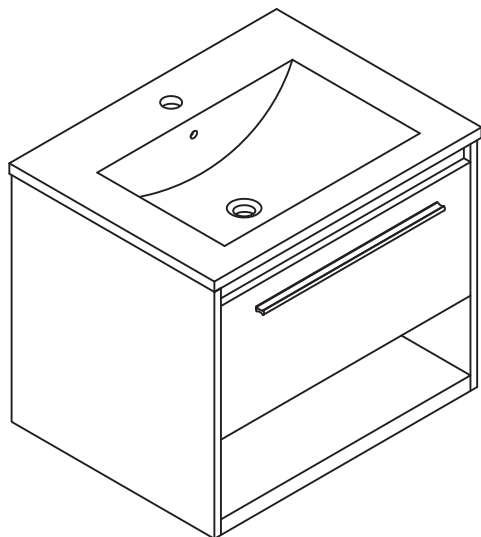




ELEGANT
FURNITURE & LIGHTING™

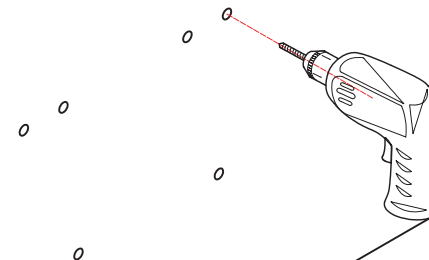
Assembly instructions

VF43030WH / VF43030WB
VF43030CG



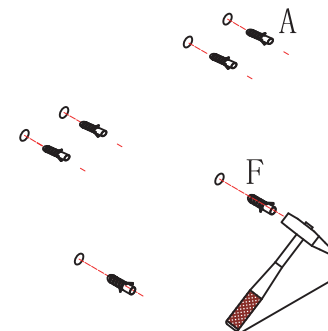
Step 1

Wall



Step 2

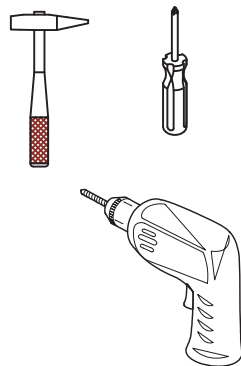
Wall



Hardware

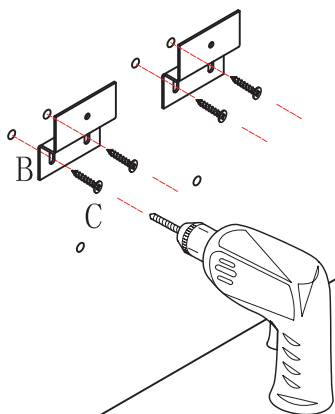
NO.	Parts	QTY
A	(M6*1.18")	4
B		2
C	(T4*1.38")	4

Tools

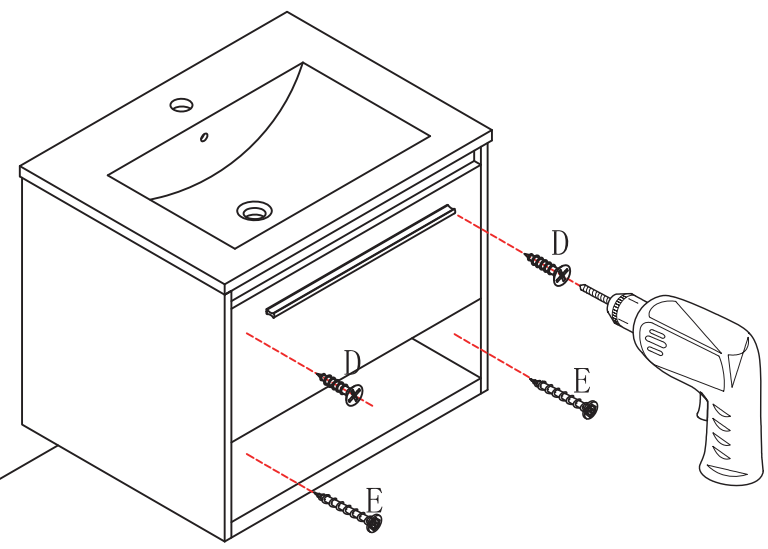


Step 3

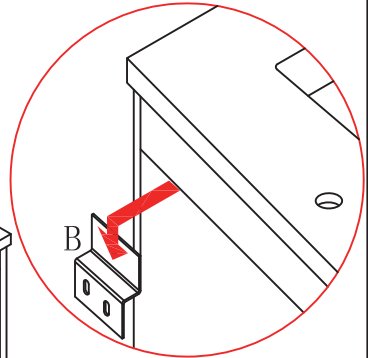
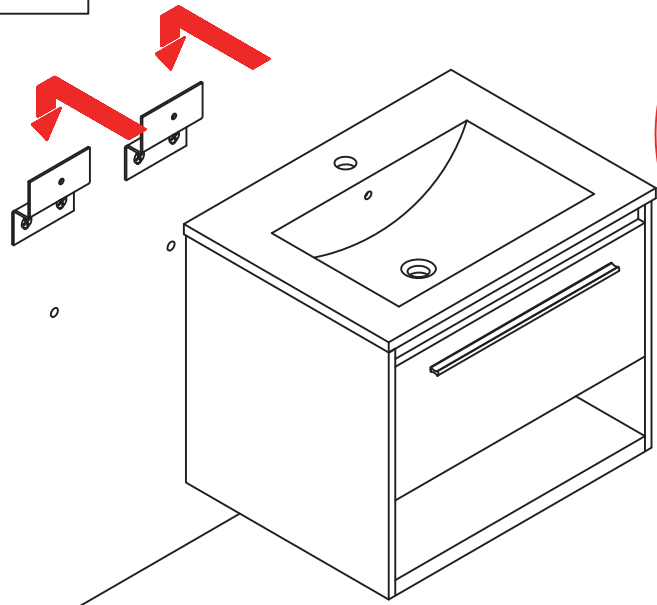
Wall



Step 5



Step 4



Finished

33.85"

