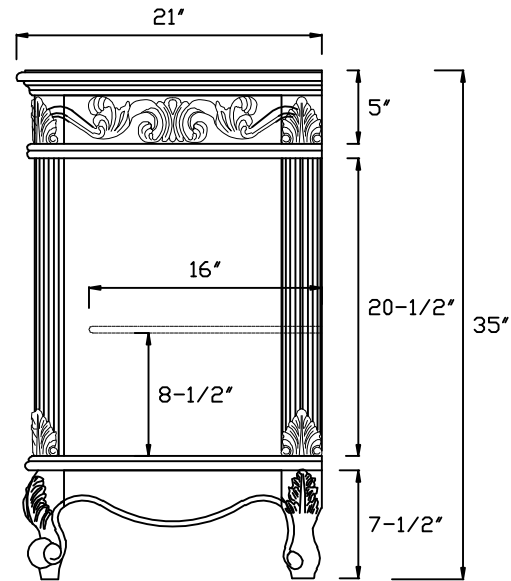
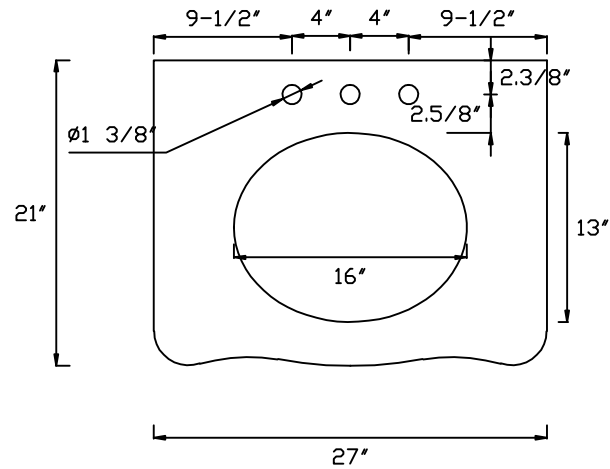


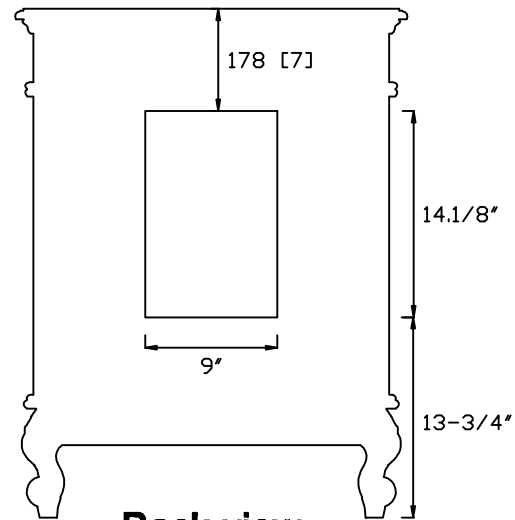
Front view



Side view



Top view



Back view

DWG. NO.

MODEL NO:
VF-1008VM

SPEC NO:

QUANTITY:

DATE:
10/26/2020

CHECKED BY:

**FOR PROPOSAL ONLY ALL
DIMENSIONS TO BE VERIFIED**

PROJECT:

COLOR:

FINISH:

REVISIONS

- | | |
|---|--|
| 1 | |
| 2 | |
| 3 | |
| 4 | |
| 5 | |
| 6 | |

ELEGANT
FURNITURE & LIGHTING™

500-550 E. Erie Avenue
Philadelphia PA 19134

Model #	VF-1008VM	Finish	Vintage mint	Mirror type	N/A	Beveled glass	N/A	Frame material	Solid wood and MDF	DWG. NO.	
Solid wood construction	Solid wood legs	Drawers Included	NO	Number of Drawers	N/A	Joinery Type	N/A	Drawer railing	N/A	MODEL NO: VF-1008VM	
Drawer Width (in)	N/A	Drawer Depth (in)	N/A	Drawer Height (in)	N/A	Shelves	YES	Number of Shelves	1	SPEC NO:	
Doors included	Yes	Number of Doors	2	Finished Back	Yes	Hardware finish	Antique bronze	Assembly	NO	QUANTITY:	
Countertop included	Yes	Countertop material	Marble	Number of Sinks accommodated	1	Sink material	Porcelain	Sink Width	16	DATE:	
Sink Depth	13	Sink height	7	Sink hole size	1.75	Mounting type	free-standing	Backsplash	No	CHECKED BY:	
Backsplash Width	N/A	Backsplash Depth	N/A	Backsplash Height	N/A	Drain assembly included	NO	Faucet included	NO	FOR PROPOSAL ONLY ALL DIMENSIONS TO BE VERIFIED	
Faucet type	NO	Faucet hole size	1.38	Faucet hole spacing	8"3 Holes	Product Width	27	Product Depth	21		PROJECT:
Product Height	36	Package LENGTH (inches)	31.0	Packaged WIDTH (inches)	26.0	Packaged Height (inches)	40.00	Package Weight (lbs)	119.00		COLOR:
Product Weight	106.00	Shipment Type	small parcel	Table/Desk: top width	21	Table/Desk top finish	White with occasional coffee color vein	glass top tempered	N/A		FINISH:
table top maximum weight	90 lbs	Table:seating capacity	1	upholstery color	N/A	upholstery pattern	N/A	cushion material	N/A		REVISIONS
base finish	Light green	powder coated finish	NO	base material	MDF	top material	Marble	wood species	Rubber wood		①
tip over restraint strap	NO	shape of top	Rectangle	lift top	NO	shelf material	MDF	adjustable shelves	YES		②
Drawer Handle designs	Knobs	safety stop	Yes	felt lined drawers	NO	drawer glide extension	N/A	drawer glide material	N/A		③
drawer dividers	N/A	Drawer Interior finish	N/A	Ball Bearing Glides	N/A	soft close drawer glides	N/A	Number of cabinets	1		④
shelf width (in)	20.5	shelf depth (in)	16	shelf height (in)	8.5"	Shelf thickness	1/2"	Any certification (CARB/TSCA VI) ?	Yes		⑤
California Proposition 65 warning required	YES	Drawer Interior Width (in)	N/A	Drawer Interior Depth (in)	N/A	Drawers Interior Height (in)	N/A	cabinet interior width	20.5	⑥	
cabinet interior depth	16	cabinet interior height	20.5	leg width	3"	leg depth	3"	leg height	7.5"		
gloss finish	No	stackable	NO	leg design	bending legs	Armoires: ring slots	N/A	Armoires: hooks	N/A		
armoires: mirror dimensions	N/A	door thickness	1/2"	false drawers?	NO	Vanity countertop edge style	hypotenuse	# of faucet holes	3		



500-550 E. Erie Avenue
Philadelphia PA 19134
1-888-388-3390