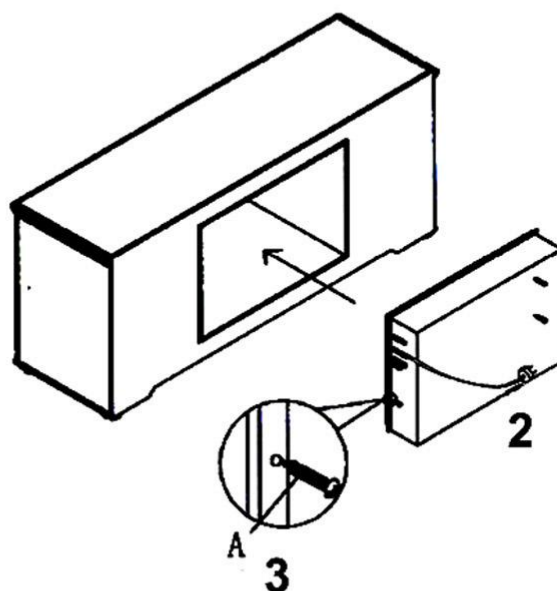
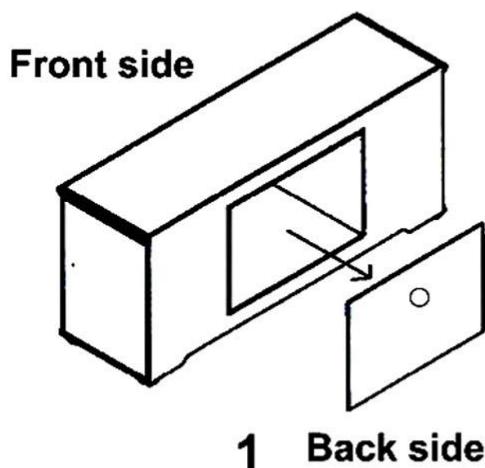




Assembly Instructions

MF801WH



1. Remove the back panel of the cabinet and discard if you are installing this furniture with the fireplace.
2. Place the fireplace inside from the back of the cabinet and gently slide to the front.
3. Secure the fireplace to the cabinet using the screws.

DO NOT REINSTALL THE BACK PANEL AS THIS WILL CAUSE OVERHEATING DUE TO INSUFFICIENT AIR CIRCULATION.

hardware

A X 4
self-tapping screw (3*12mm)

