

LIVING DISTRICT

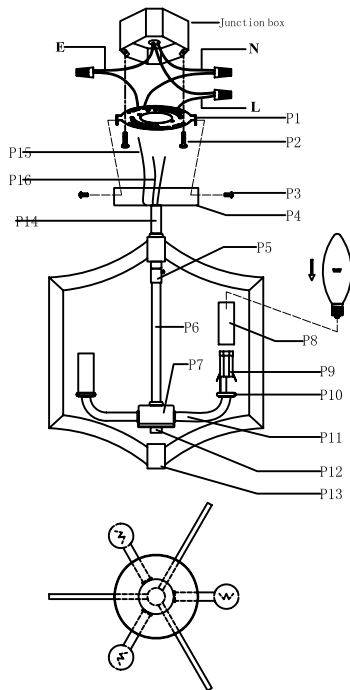
Collection: Kiera

Installation manual for:

LD7067F12BK/BR D12" H15.7" L3

Installation instructions:

1. Black wire from ceiling(junction box) attaches to "L"wire from the fixture.
 2. White wire from ceiling(junction box) attaches to "N"wire from the fixture.
 3. "E" wire from the fixture is attached to the mounting bracket and an additional "E" wire from the mounting bracket must be secured to the junction box.
 4. Secure mounting bracket to the junction box.
 5. Insert the mounting bracket screw(P2) into the mounting bracket (P1)
 6. Use the screw(P3) to lock the lamp body to the mounting bracket (P1) on the ceiling.
 7. Put the socket tube(P8) on the socket (P9),and install E12 light source.(Bulbs not supplied)
- The end!



Part	Picture	Description	Qty	Check list
P1		mounting bracket Φ4.53"×H0.59"	1	
P2		Mounting bracket screw	2	
P3		Screw	2	
P4		Canopy D4.7"×H1"	1	
P5		Universal head H1.1"×Φ0.51"	1	
P6		Rod L6.69"×Φ0.49"	1	
P7		Wire box Φ1.97"×H1.18"	1	
P8		Tube Φ0.87"×H2.36"	3	
P9		E12 holder	3	
P10		Cover Φ0.98"×H0.19"	3	
P11		Socket tube L3.66"×H1.93"	3	
P12		Nut Φ0.6"×H0.3"	1	
P13		Lamp frame Φ12"×H13"	1	
P14		Tube Φ0.49"×H1.57"		
P15		UL18#裸铜地线, L9.84"	1	
P16		UL18#, L6"	1	

"L" = Hot wire

"N" = Neutral wire

"E" = Ground wire