

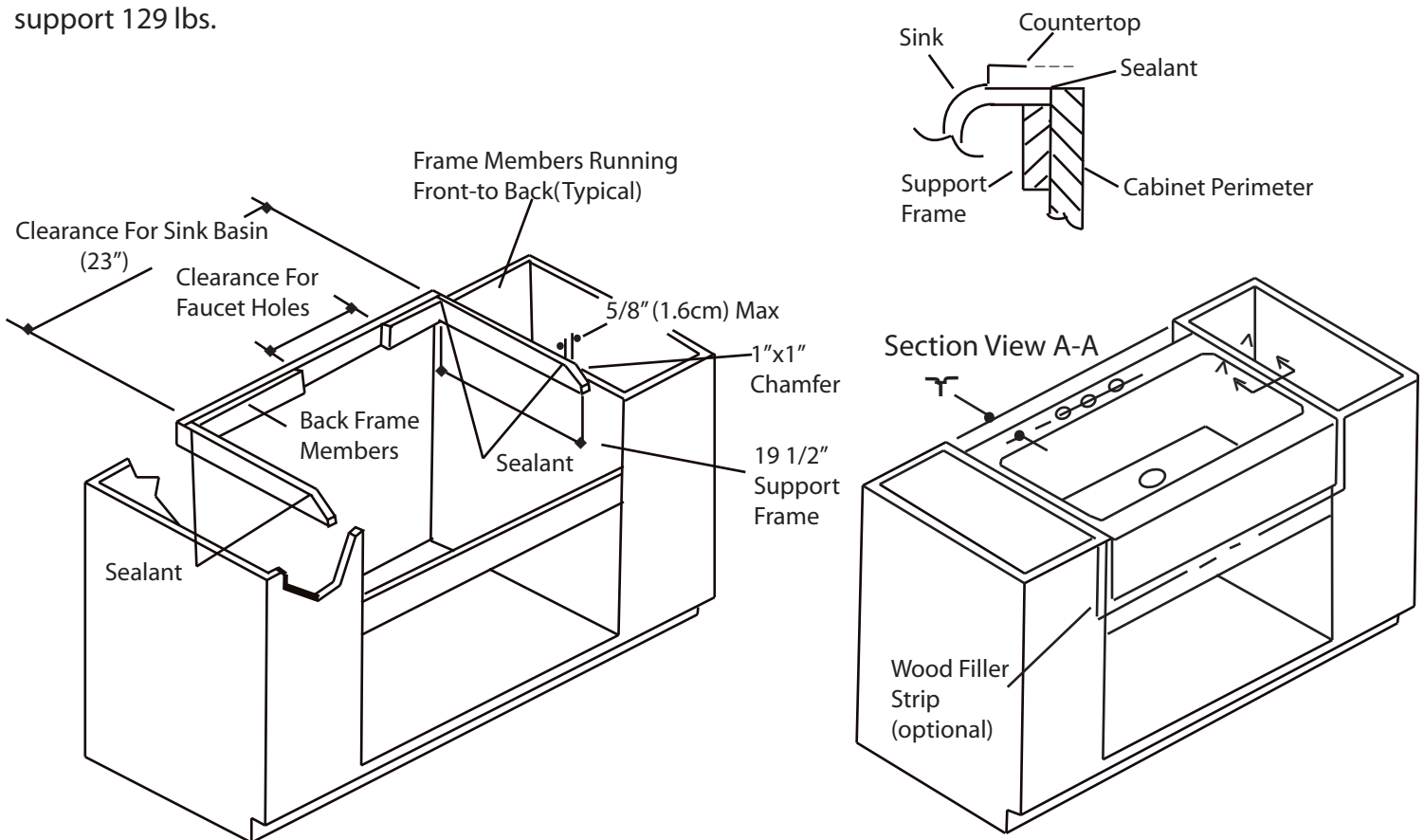
Installation of Chameleon FS24

The Chameleon FS24 bronze farm sink weighs approximately 129 lbs we strongly recommend that it is placed in the cabinet by more than 1 person capable of lifting that much weight.

To undermount this sink you will need to frame in support structures or a sub-counter to hold its weight. This frame would be approximately 23 1/4" wide by no less than 17 1/2" into the cabinet. This will allow approximately a 5/8" to a 3/4" lip of the sink to rest on the frame. The sink is 1/4" thick so the frame should be placed on the cabinet walls to accommodate this, so the countertop and sink will be flush allow 1/4" to 5/16".

Construct a wood support and frame to fit inside the cabinet opening. Allow adequate Clearance for faucet holes and sink basin between the support frame members.

CAUTION: The wood support and frame for the sink must sufficiently support 129 lbs.



There should be a hole cut in the front of the cabinet face to accommodate the apron front as well. Measure sink apron and cabinet opening to make sure apron will fit into cabinet opening. If necessary, sand opening or add wood filler strips. Apron should rest against the cabinet face. This sink's apron can protrude 2 - 2 1/4" away from the cabinet wall, **NOTE you MUST measure to accommodate this variance to determine actual hole depth for sink as well.**

We recommend an experienced cabinet maker build the new cabinet or modify the existing cabinet for this sink.