

**PRODUCT SPECIFICATIONS**

Elkay Weldbilt Stainless Steel 45" x 27-1/2" x 14" Floor Mount, Double Compartment Scullery Sink. Sink is manufactured from 14 gauge 304 Stainless Steel with a Buffed Satin finish, Center drain placement. Sinks supported by (4) 16 gauge stainless steel, 1-5/8" O.D. tubular legs with bullet shaped feet adjustable up to 1".

|                           |                     |
|---------------------------|---------------------|
| <b>Material:</b>          | 304 Stainless Steel |
| <b>Finish:</b>            | Buffed Satin        |
| <b>Gauge:</b>             | 14                  |
| <b>Number of Bowls:</b>   | 2                   |
| <b>Sink Dimensions:</b>   | 45" x 27-1/2" x 44" |
| <b>Bowl 1 Dimensions:</b> | 21" x 24" x 14"     |
| <b>Bowl 2 Dimensions:</b> | 21" x 24" x 14"     |
| <b>Backsplash Height:</b> | 8                   |
| <b>Leg Type:</b>          | Stainless Steel     |
| <b>Drain Size:</b>        | 3-1/2" (89mm)       |
| <b>Drain Location:</b>    | Center              |

|   |   |
|---|---|
| <b>Custom Options</b>                             |   |
| <input type="checkbox"/> Type 316 Stainless Steel |   |
| <b>Drain Location</b>                             |   |
| <input type="checkbox"/> Right Rear               | <input type="checkbox"/> Left Rear          |
| <input type="checkbox"/> Center                   | <input type="checkbox"/> Center Rear        |
| <b>Overflow Location</b>                          |   |
| <input type="checkbox"/> Front                    | <input type="checkbox"/> Left               |
| <input type="checkbox"/> Rear                     | <input type="checkbox"/> Right              |
| <b>Alternate Punching</b>                         |   |
| <input type="checkbox"/> Faucet Model:            | <input type="checkbox"/> Punch Required:    |
| <b>Sink Size</b>                                  |   |
| <input type="checkbox"/> Bowl Width:              | <input type="checkbox"/> Drainboard Width:  |
| <input type="checkbox"/> Bowl Depth:              | <input type="checkbox"/> Backsplash Height: |

\*Options available if applicable  
\*\*Drainboards over 25-1/2" wide furnished with one tubular leg.  
\*\*\*Drainboards over 48" wide furnished with two tubular legs.



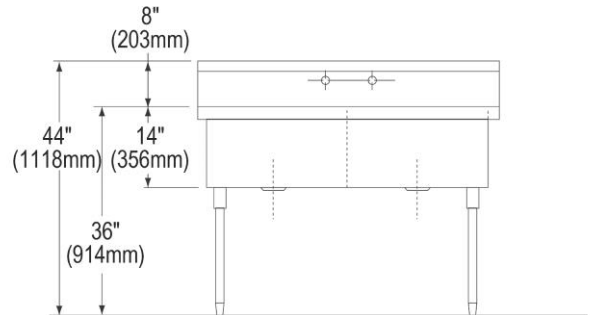
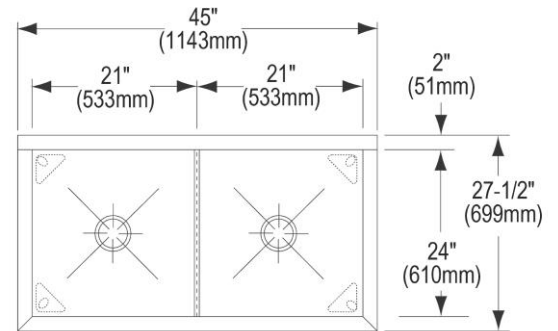
AMERICAN PRIDE. A LIFETIME TRADITION.  
Like your family, the Elkay family has values and traditions that endure. For almost a century, Elkay has been a family-owned and operated company, providing thousands of jobs that support our families and communities.



**Product Compliance:** ASME A112.19.3/CSA B45.4  
BUY AMERICAN ACT  
NSF 2



[Clean and Care Manual \(PDF\)](#)  
[Limited Warranty \(PDF\)](#)



PART: \_\_\_\_\_ QTY: \_\_\_\_\_  
PROJECT: \_\_\_\_\_  
CONTACT: \_\_\_\_\_  
DATE: \_\_\_\_\_  
NOTES: \_\_\_\_\_  
APPROVAL: \_\_\_\_\_

In keeping with our policy of continuing product improvement, Elkay reserves the right to change product specifications without notice. Please visit [elkay.com](http://elkay.com) for the most current version of Elkay product specification sheets. This specification describes an Elkay product with design, quality, and functional benefits to the user. When making a comparison of other producers' offerings, be certain these features are not overlooked.