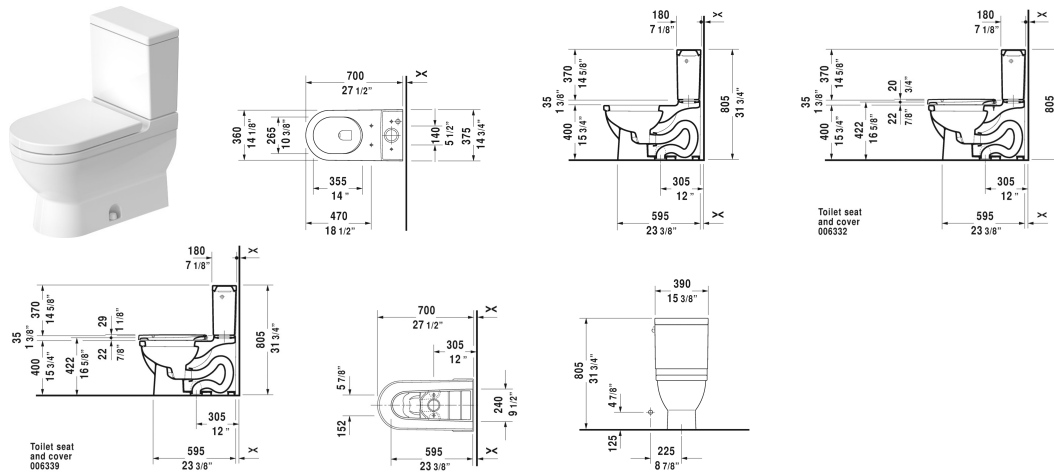


Starck 3 Toilet kit # D19097.. / D19097..

< 15 3/8" Inch >



Toilet kit	Dimension	Weight	Order number
Toilet bowl & Tank, WaterSense® listed, cUPC® listed*, vertical outlet, syphonic, 12" rough-in, with single flush mechanism, with side lever, 1.28 gpf			
Colors			
00 White 20 HygieneGlaze (an antibacterial ceramic glaze that provides almost indefinite effectiveness)			
Variant			
	15 3/8" x 27 3/4" Inch	116.2 lb	D19097..
	15 3/8" x 27 3/4" Inch	116.2 lb	D19097..
Infobox			
Not available with WonderGliss			
Suitable products			
Tank with single flush mechanism, with side lever, 3" flapper valve, bottom left supply, WaterSense® listed, cUPC® listed*, 15 3/8" x 7 1/8" Inch	15 3/8" x 7 1/8" Inch		092040
Toilet seat and cover elongated, hinges stainless steel, removable, with slow close,			006339
Two-Piece toilet (without tank), suitable for SensoWash Starck, syphonic, 12" rough-in, vertical outlet, cUPC® listed*, WaterSense® listed, 1.28 gpf, 14 5/8" x 27 3/4" Inch	14 5/8" x 27 3/4" Inch		212501

All drawings contain the necessary measurements which are subject to standard tolerances. They are stated in inch & mm and are non-binding. Exact measurements, in particular for customized installation scenarios, can only be taken from the finished ceramic piece.