



Sink - Tara.

Pillar-tap, wall-mounted cold water only - polished chrome

Article number: 30 010 892-00 0010

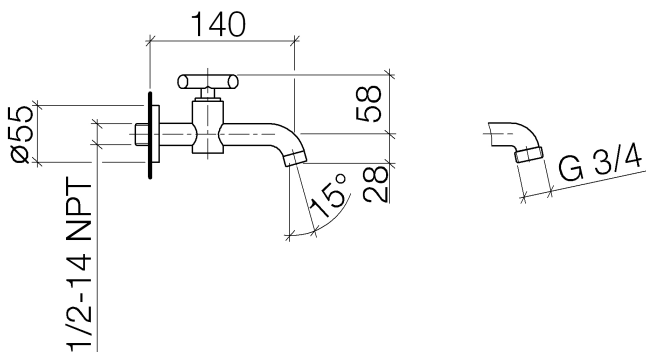


- 5-1/2" Projection
- Rigid spout
- Round aerated stream
- Adapter, male thread 3/4"
- 1-1/4" hole diameter
- Flange diameter 2-1/8"
- Water flow rate limited to max. 1.2 gpm
- lead-free
- (ADA)



polished chrome

## Dimensional drawing



All dimensions in mm / inch = mm x 0,0394

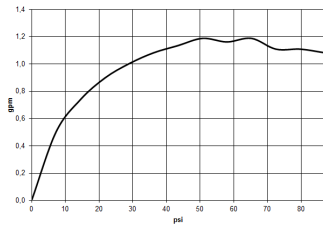


Sink - Tara.

Pillar-tap, wall-mounted cold water only - polished chrome

Article number: 30 010 892-00 0010

### Flow rate chart





Sink - Tara.

Pillar-tap, wall-mounted cold water only - polished chrome

Article number: 30 010 892-00 0010

### Other surface finishes



platinum matte

30 010 892-06 0010



platinum

30 010 892-08 0010



Brushed Durabronze

30 010 892-28 0010



black matte

30 010 892-33 0010



Dark Platinum matte

30 010 892-99 0010

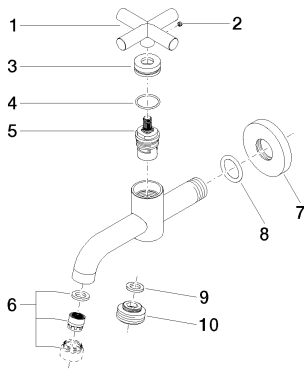
More custom finish options are available via special production (xTra Service). Please see our finish matrix for availability and pricing or contact a Dornbracht representative.

Sink - Tara.

Pillar-tap, wall-mounted cold water only - polished chrome

Article number: 30 010 892-00 0010

### Spare parts list



Number	Item Number	Designation	Number of units
1	09 20 89 011-00	handle	1
2	09 31 11 055 90	pin	1
3	09 21 02 089-00	sleeve	1
4	09 14 10 085 90	seal	1
5	90 90 03 135 00 90	top	1
6	90 23 01 068 03-00	aerator	1
7	09 27 22 003-00	rosette	1
8	09 14 10 026 90	seal	1
9	09 14 05 020 90	seal	1
10	09 24 03 012-00	nipple	1