



Shower - Tara.

Shower mixer for wall-mounted installation - polished chrome

Article number: 26 100 892-00



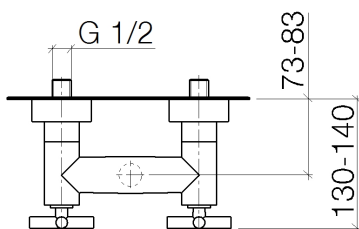
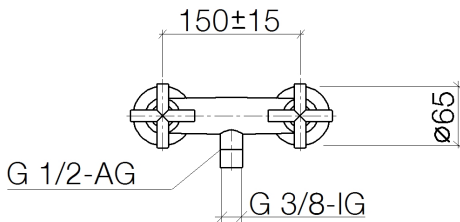
- 3/8" female or 1/2" male connection
- Flanges $\text{\O} 2-1/2"$
- 1/2" connection
- Center to center $5-7/8" \pm 6"$
- Fittings group in compliance with DIN 4109: 1
- NOTE: Local building codes may require the use of an anti-scald device. Please refer to remote pressure balance valve (35 910 970 90)
- Internal backflow preventer.
- For combination with slide bar set



polished chrome

Accessory is required for this item.

Dimensional drawing



All dimensions in mm / inch = mm x 0,0394

Model/program/technical modifications and error excepted
For more information see: www.dornbracht.com + 49 (0) 2371 433-460 mail@dornbrachtgroup.de

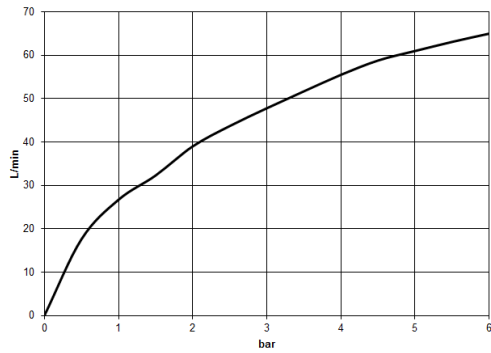


Shower - Tara.

Shower mixer for wall-mounted installation - polished chrome

Article number: 26 100 892-00

Flow rate chart





Shower - Tara.

Shower mixer for wall-mounted installation - polished chrome

Article number: 26 100 892-00

Other surface finishes



platinum matte
26 100 892-06



platinum
26 100 892-08



white matte
26 100 892-10



Brushed Durabrass
26 100 892-28



black matte
26 100 892-33



Dark Platinum matte
26 100 892-99

More custom finish options are available via special production (xTra Service). Please see our finish matrix for availability and pricing or contact a Dornbracht representative.

Required article



35 080 970-90 0010

Rough-in adapter -

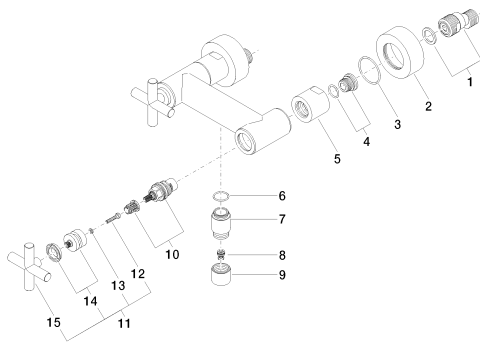


Shower - Tara.

Shower mixer for wall-mounted installation - polished chrome

Article number: 26 100 892-00

Spare parts list



Number	Item Number	Designation	Number of units
1	04 11 04 030 00 90	connection	2
2	09 27 89 103-00	rosette	2
3	09 14 10 034 90	seal	2
4	04 29 05 014 00 90	nipple	2
5	09 23 10 064-00	nut	2
6	09 14 10 032 90	seal	1
7	09 24 03 121-00	nipple	1
8	09 23 01 131 90	back-flow preventer	1
9	09 21 02 143-00	sleeve	1
10	90 90 03 131 00 90	top	2
11	04 20 89 010 00-00	handle	2
12	09 30 30 075 90	screw	2
13	09 30 11 029 90	disc	2
14	90 12 12 007 00-00	base	2
15	09 20 89 010-00	handle	2