



Sink - Tara.

Pillar tap cold water only - polished chrome

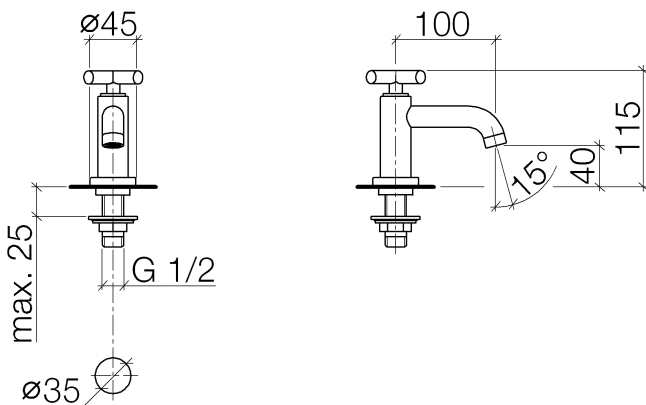
Article number: 17 500 892-00 0010

- 3-7/8" Projection
- Rigid spout
- Round aerated stream
- Total height 4-1/2"
- Height to aerator/spout outlet 1-5/8"
- 1-3/8" hole diameter
- 1/2" connection
- Flange diameter 1-3/4"
- Water flow rate limited to max. 1.2 gpm
- lead-free
- (ADA)



polished chrome

Dimensional drawing





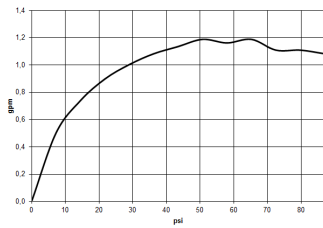
Sink - Tara.

Pillar tap cold water only - polished chrome

Article number: 17 500 892-00 0010

All dimensions in mm / inch = mm x 0,0394

Flow rate chart





Sink - Tara.

Pillar tap cold water only - polished chrome

Article number: 17 500 892-00 0010

Other surface finishes



platinum matte

17 500 892-06 0010



platinum

17 500 892-08 0010



Brushed Durabrass

17 500 892-28 0010



black matte

17 500 892-33 0010



Dark Platinum matte

17 500 892-99 0010

More custom finish options are available via special production (xTra Service). Please see our finish matrix for availability and pricing or contact a Dornbracht representative.

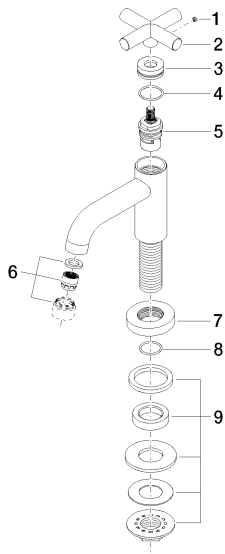


Sink - Tara.

Pillar tap cold water only - polished chrome

Article number: 17 500 892-00 0010

Spare parts list



Number	Item Number	Designation	Number of units
1	09 31 11 055 90	pin	1
2	09 20 89 011-00	handle	1
3	09 21 02 089-00	sleeve	1
4	09 14 10 085 90	seal	1
5	90 90 03 135 00 90	top	1
6	90 23 01 068 03-00	aerator	1
7	09 27 89 106-00	rosette	1
8	09 14 10 032 90	seal	1
9	04 23 10 010 88 90	fixing set	1