



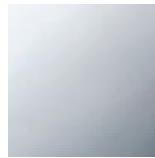
Sink - CYO

Three-hole lavatory mixer with drain - Chrome

Article number: 20 713 811-00 0010



- 6-5/8" Projection
- US drain with overflow
- Rigid spout
- Rectangular aerated stream
- Total height 7-3/4"
- Height to aerator/spout outlet 5-1/4"
- Spout hole diameter 1-3/8"
- Valve hole diameter 1-1/4"
- Handle Ø 2-3/8"
- Water flow rate limited to max. 1.2 gpm
- lead-free
- NOTE: Handle inserts are sold separately!



Chrome



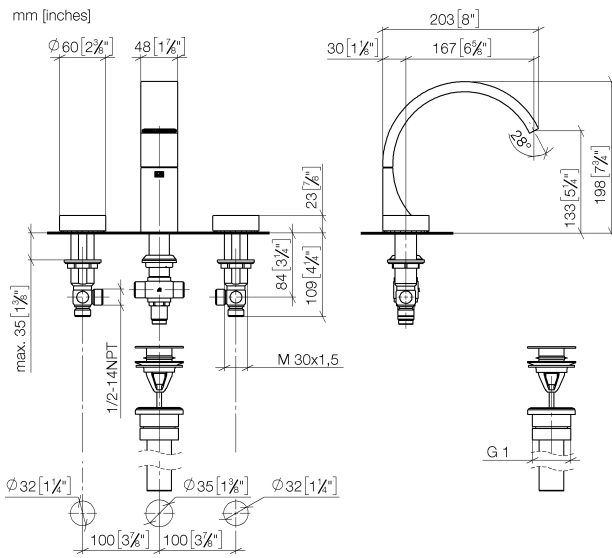


Sink - CYO

Three-hole lavatory mixer with drain - Chrome

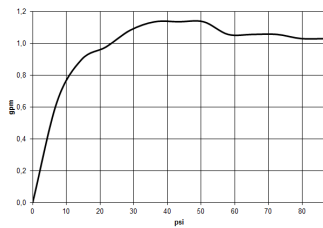
Article number: 20 713 811-00 0010

Dimensional drawing



All dimensions in mm / inch = mm x 0,0394

Flow rate chart





Sink - CYO

Three-hole lavatory mixer with drain - Chrome

Article number: 20 713 811-00 0010

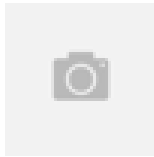
Other surface finishes



Brushed Platinum
20 713 811-06 0010



Dark Chrome
20 713 811-19 0010



Brushed brass (23kt gold)
20 713 811-28 0010



platinum / platinum matte
20 713 811-36 0010



Brass / Brushed brass (23kt
gold)
20 713 811-38 0010



Brushed Dark Platinum
20 713 811-99 0010

More custom finish options are available via special production (xTra Service). See our finish matrix for availability and pricing or contact a Dornbracht representative. Some series may be excluded and some finishes may not be available in all series.

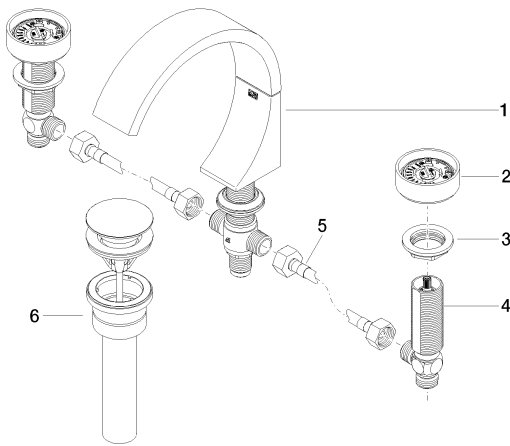


Sink - CYO

Three-hole lavatory mixer with drain - Chrome

Article number: 20 713 811-00 0010

Spare parts list



Number	Item Number	Designation	Number of units
1	13 717 811-00	Lavatory spout, deck-mounted without drain - Chrome	1
2	90 18 40 290 00-00	handle	2
3	04 30 11 038 67 90	fixing set	2
4	04 17 11 055 61 90	side panel	2
5	04 30 04 096 00 90	hose	2
6	10 125 970-00 0010	Umbrella drain 1 1/4" - Chrome	1