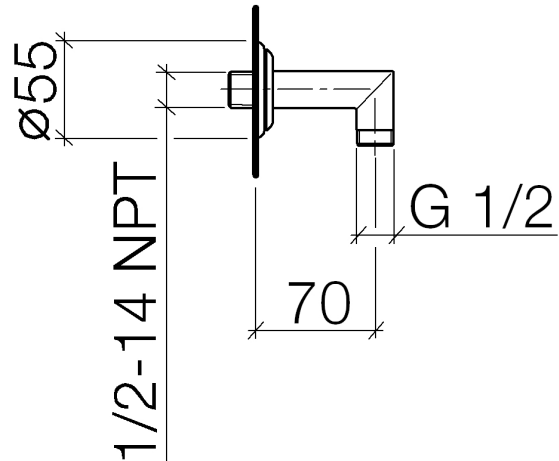




Product specifications

- 1/2" Shower outlet
- Flange diameter 2-1/8"
- 1/2" connection

Internal backflow preventer.



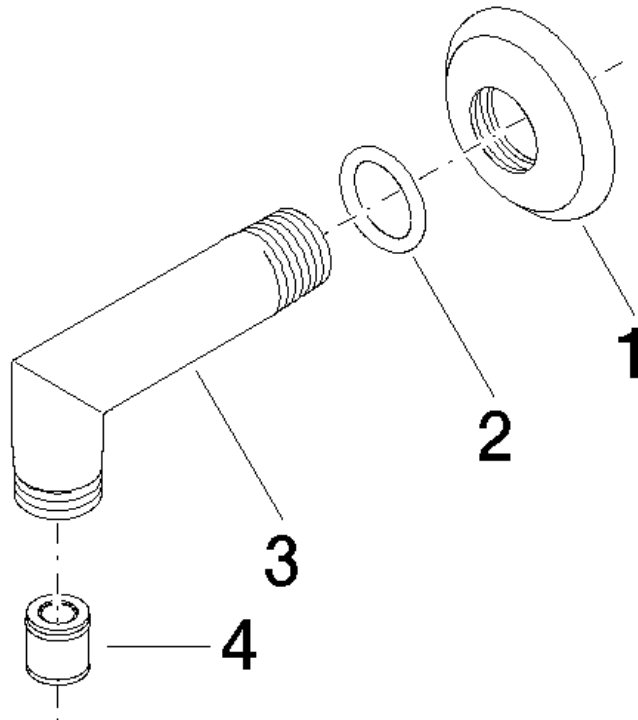
Surfaces

- | | |
|-----------------|-----------------|
| • chrome | 28450410-000010 |
| • matt platinum | 28450410-060010 |
| • platinum | 28450410-080010 |
| • brass | 28450410-090010 |

Accessories required

- Rough-in adapter; 35 080 970

Exploded assembly drawing





Order quantity

| No. | Article number | Name | Installation quantity |
|------------|-----------------------|---------------------|------------------------------|
| 1 | 092735003ff | rosette | 1 |
| 2 | 09141002690 | seal | 1 |
| 3 | 091103021ff | connection | 1 |
| 4 | 09230104090 | back-flow preventer | 1 |