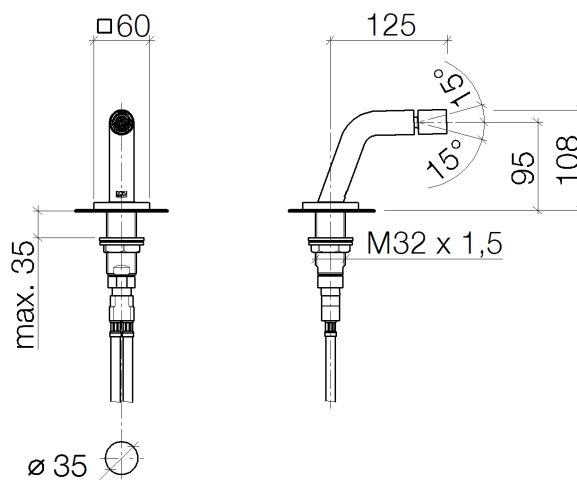




Product specifications

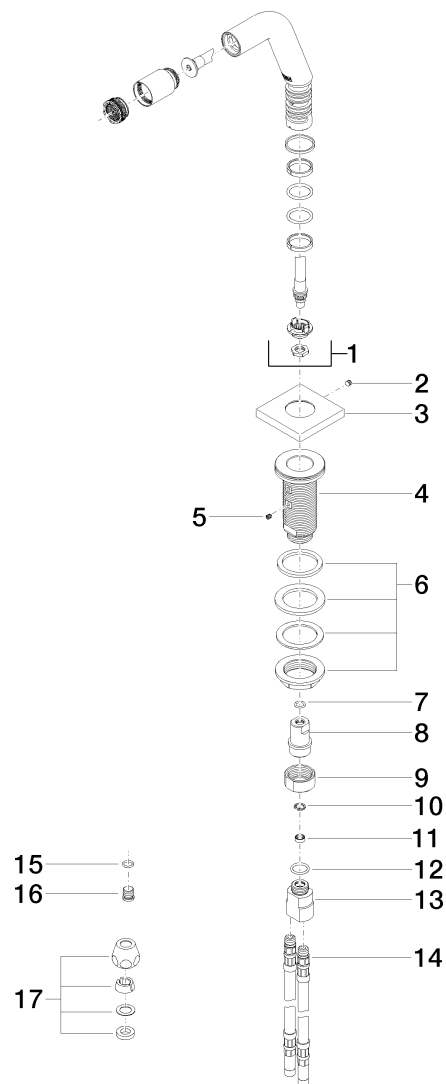
- **125 mm projection**
- ball-joint pivotable through 15° (in any direction)
- circular, air-enriched flow
- height of mixer 108 mm
- height up to aerator 95 mm
- hole diameter 35 mm
- rosette 60 x 60 mm
- 2x screw-in M 8 x 1 pressure hose, leak-tested
- max. flow 4.5 l/min



Surfaces

- chrome 13900972-00
- platinum matt 13900972-06

Exploded assembly drawing



Order quantity

No.	Article number	Name	Installation quantity
1	90282225800ff	spout	1
2	0431111120090	pin	1
3	092722043ff	rosette	1
4	093001195ff	connection	1
5	09311100790	pin	1
6	0423100090190	fixing set	1
7	09141006190	seal	1
8	09240323790	extension	1
9	09231009990	nut	1
10	09160101690	ring	1
11	09230103390	flow reducer	1
12	09141013090	seal	1
13	0911100551090	connection	1
14	0430040160090	hose	2
15	09141006090	seal	1
16	09312006590	plug	1
17	04233004000ff	threaded connector	2

Flow rate chart

