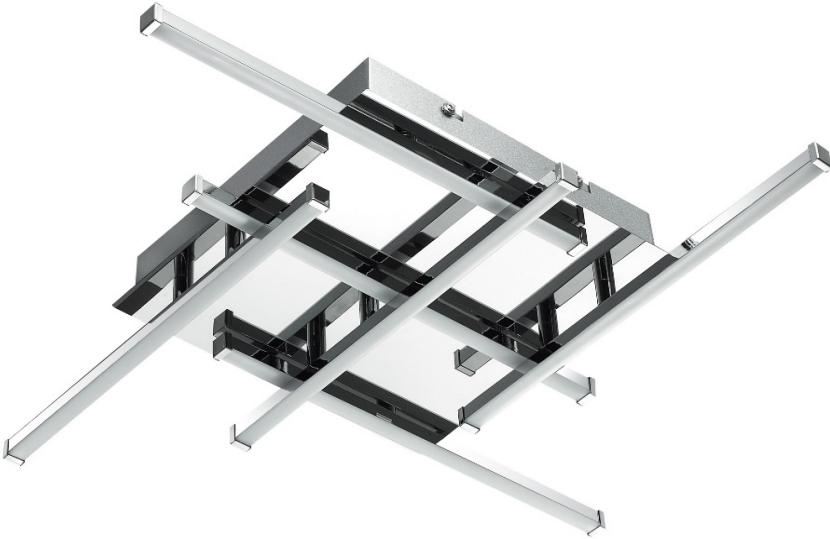


SUM-2020FH-PC - 6LT Flush Mount, Polished Chrome



6 Light LED Flush Mount, Polished Chrome Finish

Height 3.25"
Width/Length 20
Depth 20"
Weight 10

No. of Bulbs 6
LED Compatible Yes
Total Wattage 20W

Body Material Stainless Steel
Finish/Color Polished Chrome
Type of Finish Electroplated

Second Finish/Color White

Bulb 1 Amount 6
Bulb 1 Base Type LED
Bulb 1 Max Watt. 3.3W
Bulb 1 Included Yes
Bulb 1 Lumens 1300
Bulb 1 CRI 80+

Rated For Voltage Damp Location
 120
Approval Warranty cUL or equivalent
 5 Year Limited
Instal Position Ceiling

Date:	Notes:
Fixture Type:	
Job Name:	



Lighting • LED • Shades • Custom Designs

TORONTO | BUFFALO | LIGHTFAIR | DALLAS MARKET CENTRE # 4303

www.dainolite.com
 1-888-564-1262
 dainolite@dainolite.com
 /dainolite
 /dainoliteld
 /dainolite