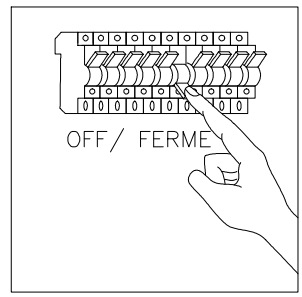
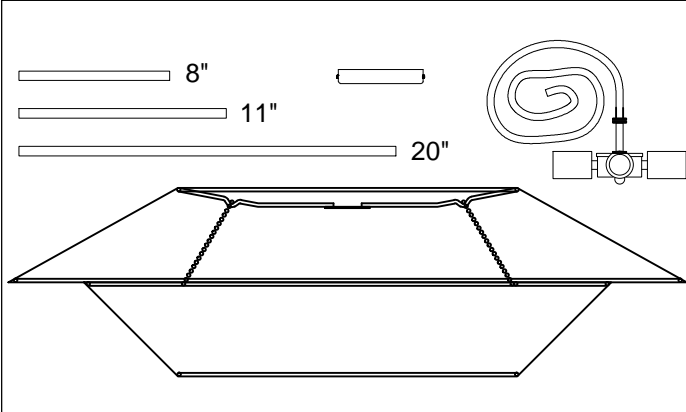
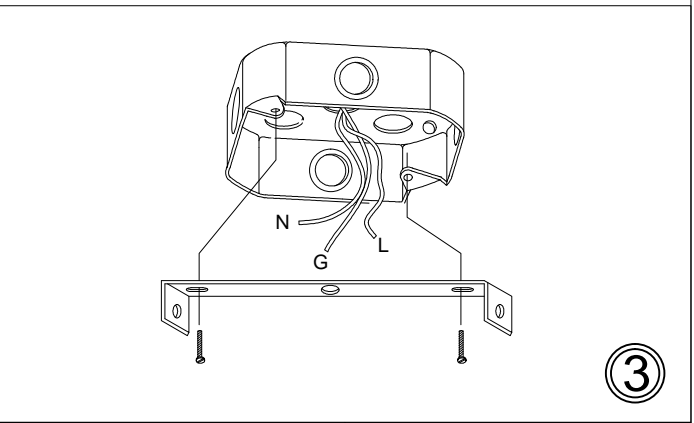
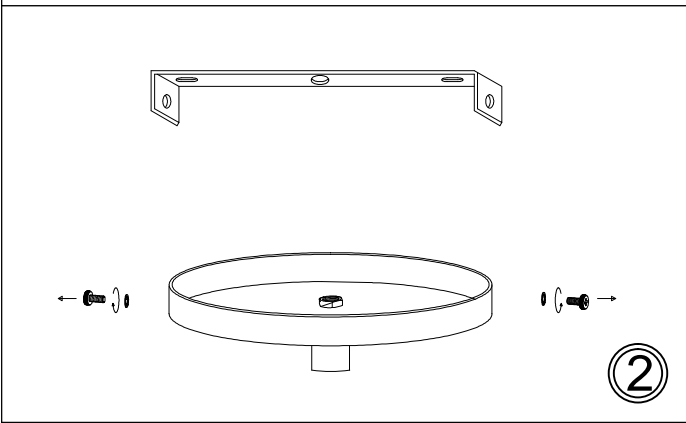




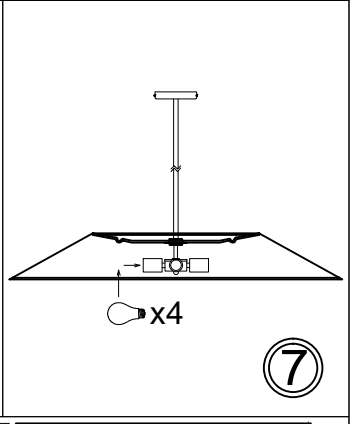
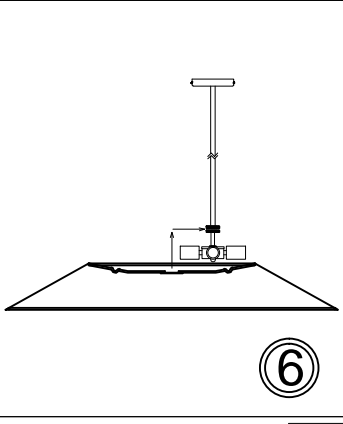
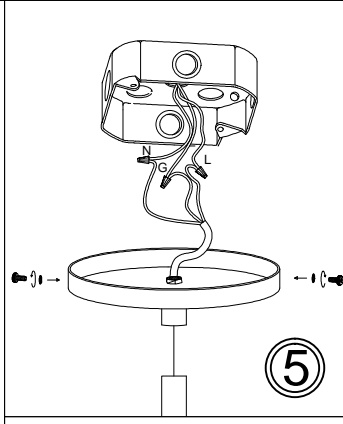
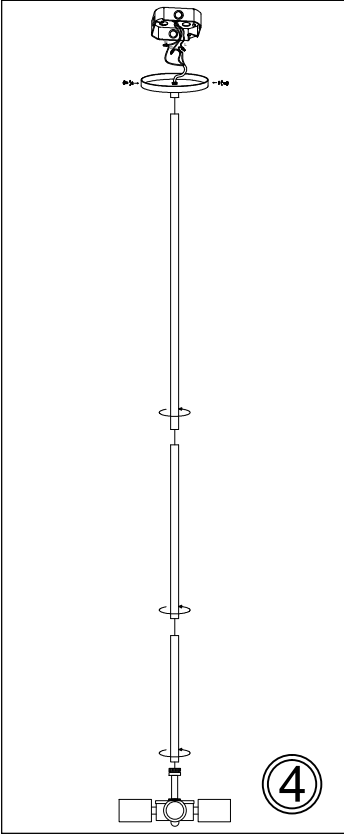
# PSO-364P



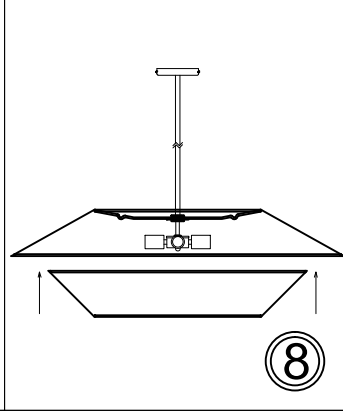
①



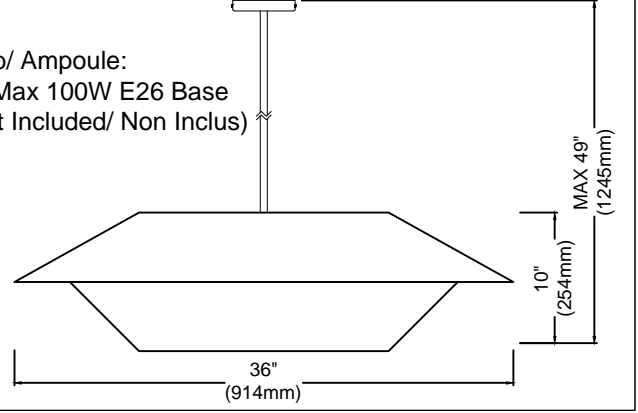
③



⑦



Bulb/ Ampoule:  
4x Max 100W E26 Base  
(Not Included/ Non Inclus)



1401 Courtney Park Drive East, Mississauga, Ontario, Canada L5T 2E4  
Tel: (905) 564-1262 Fax: (905) 564-1299 Email: dainolite@dainolite.ca Web: www.dainolite.ca

01/2023