



California Faucets®

CHRISTOPHERGRUBB Collection

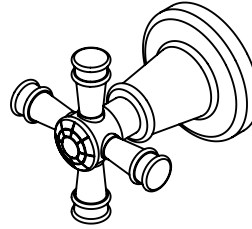
Trousdale™

Wall or Deck Handle Trim

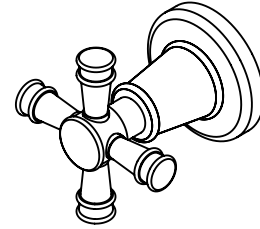
Features

- Available in 28 finishes including 13 PVD finishes
- All brass construction
- Use for wall stop, wall diverter, or deck diverter
- Rough valve (50-W-R, 75-W-R, WDV-R, DDV-R) sold separately

TO-C1X-W
TO-C1XS-W



TO-C1X-W shown

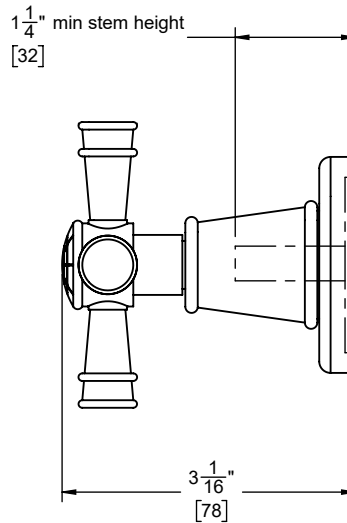
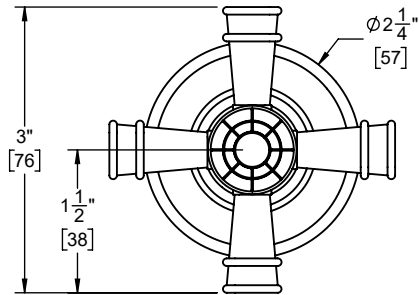


TO-C1XS-W shown

Codes/Standards

Product meets or exceeds the following:

- ASME A112.18.1/CSA B125.1



Specifications subject to change without notice

Through-Hole Specifications		
Min	Recommended	Max
Valve: ϕ 11/16" [17]	ϕ 1-1/4" [32]	ϕ 1-5/8" [41]

Dimensions are inches, rounded to 1/16"
[Dimensions in brackets are mm, rounded to 1mm]