



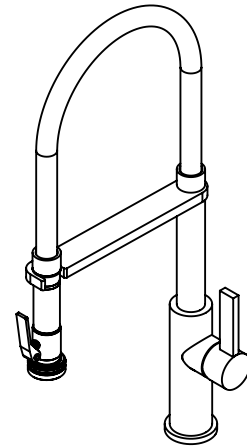
Features

- Available in 28 finishes including 13 PVD finishes
- Brass construction with closed coil stainless steel spring
- 360° rotating arm with magnetic sprayhead docking
- Squeeze lever activates spray mode
- Spray jets have easy-to-clean surface
- Ceramic disc cartridge
- Max flow rate: 1.8 gpm (6.8 L/min)

Codes/Standards Applicable

Product meets or exceeds the following:

- ASME A112.18.1/CSA B125.1
- NSF 61, NSF 372, CEC, & DOE
- Commonwealth of MA
- ADA compliant



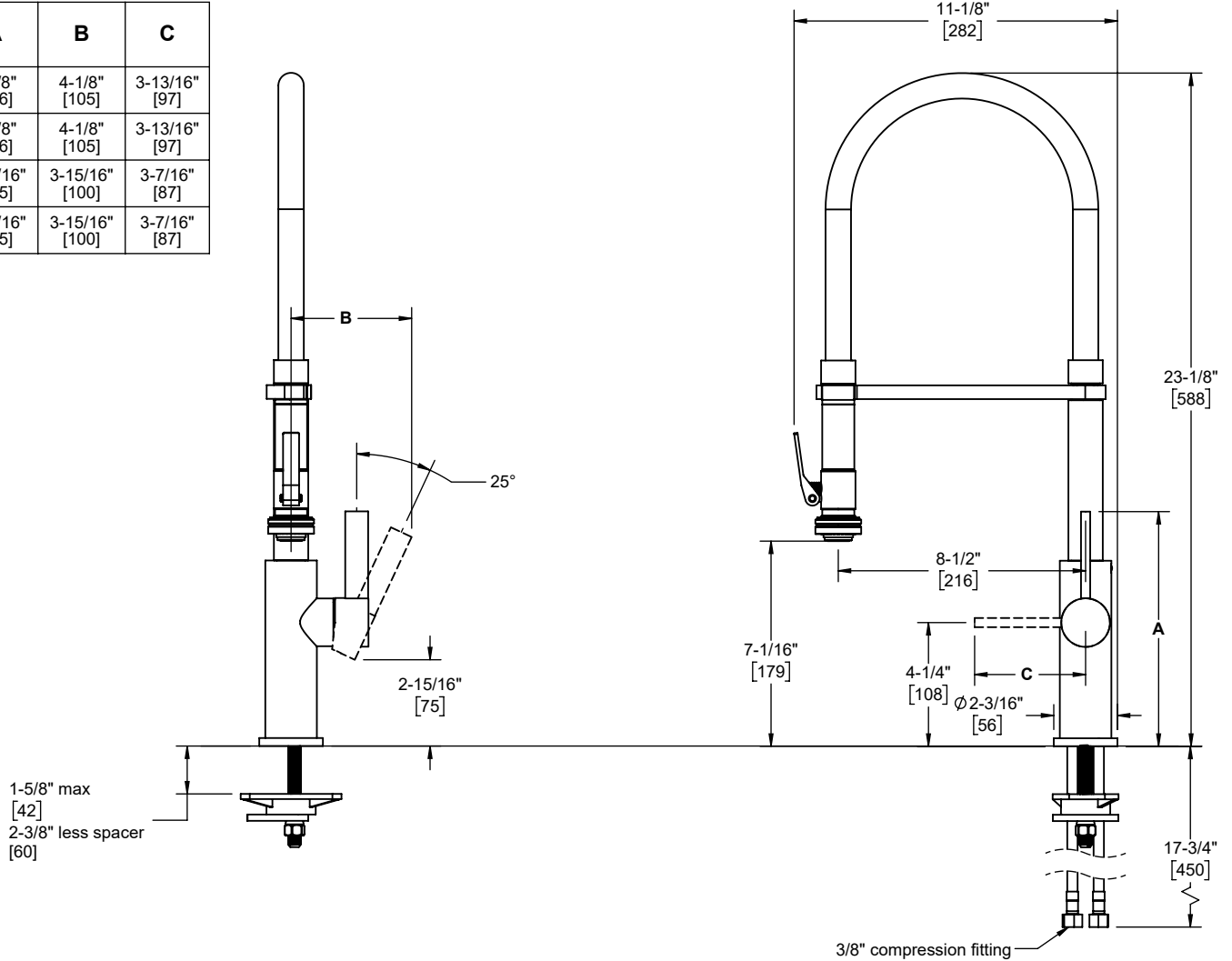
K51-150SQ-XX

K51-150SQ-FB Shown



XX = Handle Style

Handle Style	A	B	C
FB	8-1/8" [206]	4-1/8" [105]	3-13/16" [97]
BFB	8-1/8" [206]	4-1/8" [105]	3-13/16" [97]
ST	7-11/16" [195]	3-15/16" [100]	3-7/16" [87]
BST	7-11/16" [195]	3-15/16" [100]	3-7/16" [87]



Through-Hole Specifications		
Min	Recommended	Max
Ø 1-1/4" [32mm]	Ø 1-3/8" [35mm]	Ø 1-3/8" [38mm]

Specifications subject to change without notice

Dimensions are inches, rounded to 1/16"
[Dimensions in brackets are mm, rounded to 1mm]