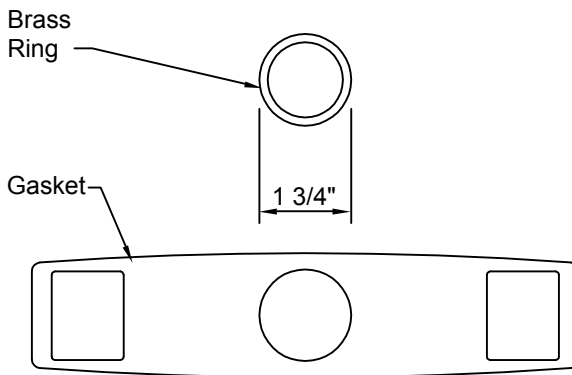
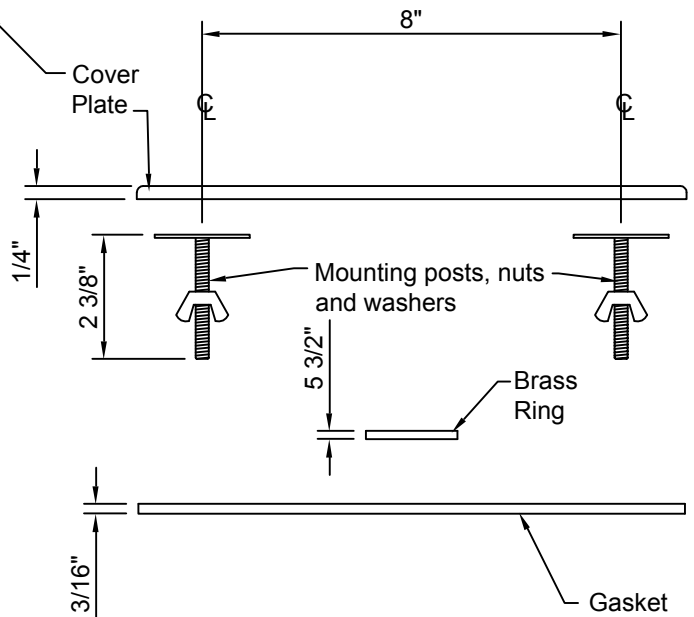


Top View



Top View



Side View

FIXTURE: One Hole Cover Plate	
MODEL #: 9677	
DWG NO: .	REV:

REVISIONS	REV DATE	STARTING DATE: June 14, 2005
		APPRVD DATE:
		APPRVD BY:
		SCALE: None
		DRAWN BY: William Linares <small>william@calfaucets.com</small>