

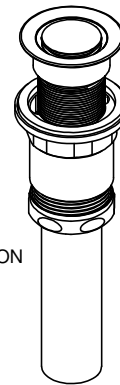
California Faucets®

ZeroDrain®

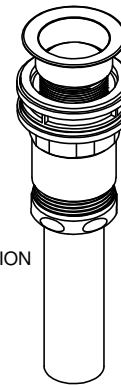
LAVATORY DRAIN

Features

- Stopper is flush with flange in open position
- Easy installation and maintenance of stopper
- For use on sinks with overflow or less overflow
- Fully polished and finished for exposed installations
- Connection: 1-1/4" x 4" tailpiece (7" version, 9069, sold separately)
- US Patented design No. D817,463
- All brass construction
- Over 30 finishes including 15 PVD finishes



OPEN CONFIGURATION



CLOSED CONFIGURATION

9050ZBF



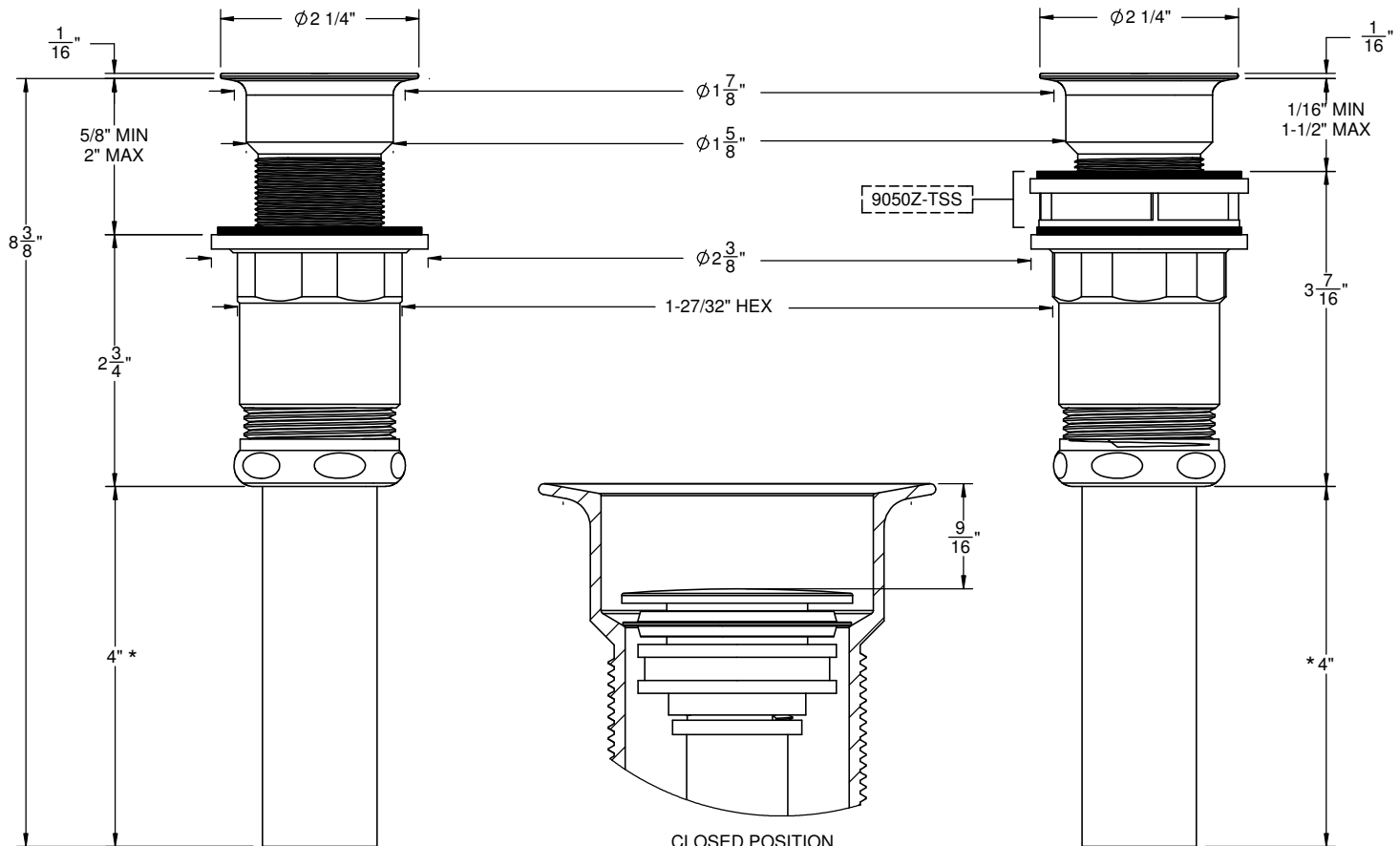
Codes/Standards Applicable

Product meets or exceeds the following:

- ASME A112.18.2/CSA B125.2

THICK SINK APPLICATION (5/8" - 2")

THIN SINK APPLICATION (1/16" - 9/16") SHOWN WITH OPTIONAL 9050Z-TSS



* TAIL PIECE MAY BE CUT TO 1" MIN

FITS $\phi 1 \frac{5}{8}$ " THRU-HOLE WITH R3/16" ALL AROUND