

# 9409-XX & 9409C-XX Universal Tank Lever for Toilet Tank Installation Instructions

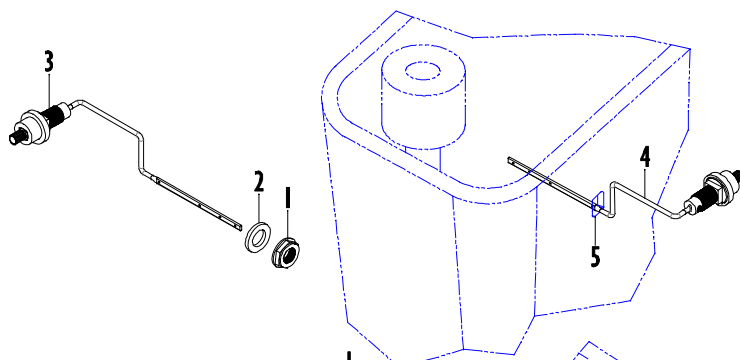
CALIFORNIA FAUCETS RECOMMENDS THAT ALL PLUMBING PRODUCTS BE INSTALLED BY A LICENSED PROFESSIONAL

This Universal Tank Lever is compatible with most front, side and angled style toilet tanks with chain style flush (AKA: "flapper") valves (not compatible with pressure assist nor fill and dump tanks). Due to the numerous styles of toilet tanks in the market, it may be necessary to bend lever for some installations.

## 1 REMOVING OLD TANK LEVER

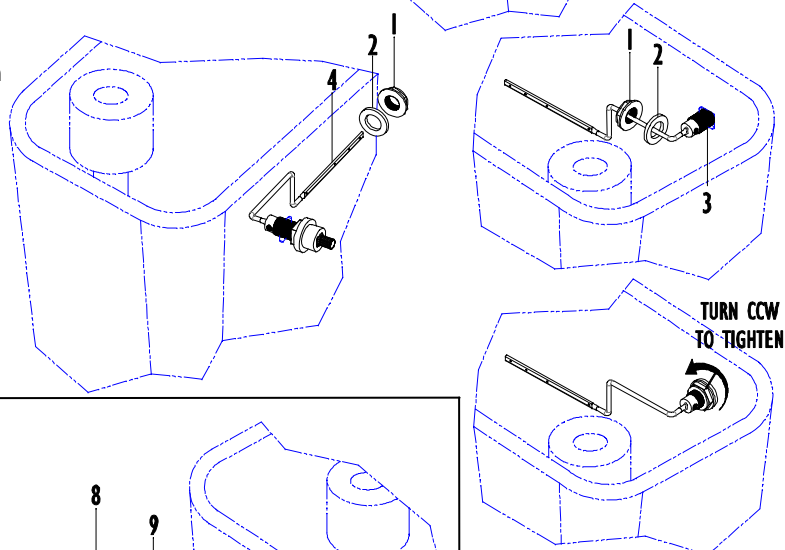
- Disconnect chain hook for flapper from end of lever
- Loosen nut on inside of bowl that secures lever onto bowl and remove lever

**NOTE:** Many toilet tank levers have left-handed threads, so nut must be turned in clockwise (CW) to remove nut



## 2a FRONT/ANGLED LEVER INSTALLATION

- The lever comes assembled in the front/angled installation configuration and is ready to install as stated below
- Remove NUT (1) and WASHER (2) from lever BODY (3)
- Place LEVER (4) through tank HOLE (5)
- Place WASHER (2) and NUT (1) onto LEVER (4)
- Tighten NUT (1) counter-clockwise (CCW) onto BODY (3)

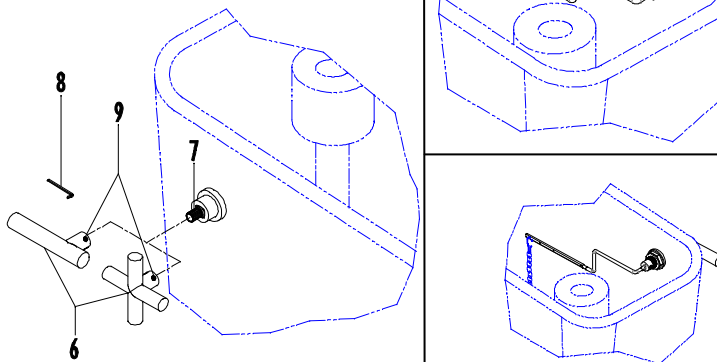


## 2b ATTACHING HANDLE

- Place the HANDLE (6) onto lever STEM (7)
- Based on HANDLE (6) style (lever or cross), orientate HANDLE (6) to desired orientation

**NOTE:** Lever handle is generally horizontal and cross may be place in "X" or "+" orientation

- Using small hex KEY (8) provided tighten SETSCREW (9) to secure HANDLE (6) in place

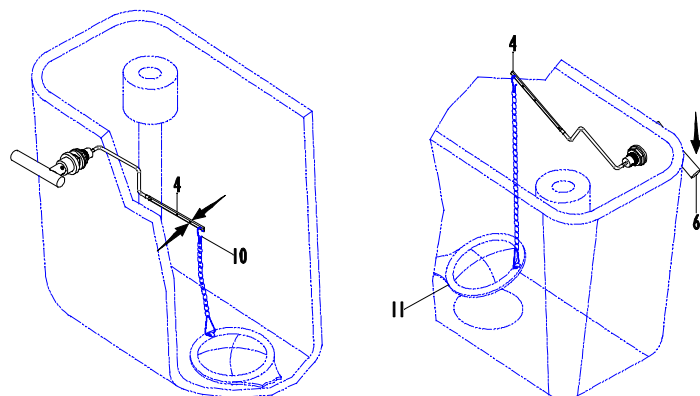


## 2c ATTACHING CHAIN TO LEVER

- Attach the flapper chain HOOK (10) through one of the end holes on LEVER (4)
- Operate LEVER (4) by rotating HANDLE (6) counter-clockwise (CCW) to lift LEVER (4) and FLAPPER (11)

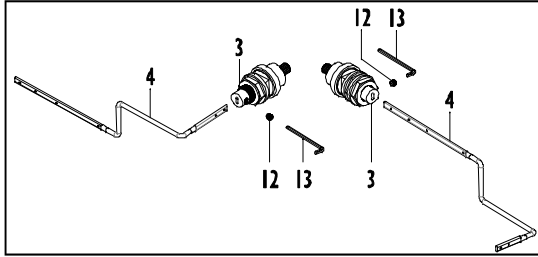
**NOTE:** Based on style of toilet tank and internal components, it may be necessary to bend LEVER (4) to prevent LEVER (4) from hitting and/or rubbing against components in tank

- Perform several flushing to ensure that FLAPPER (11) operates properly to achieve proper flushing of toilet bowl

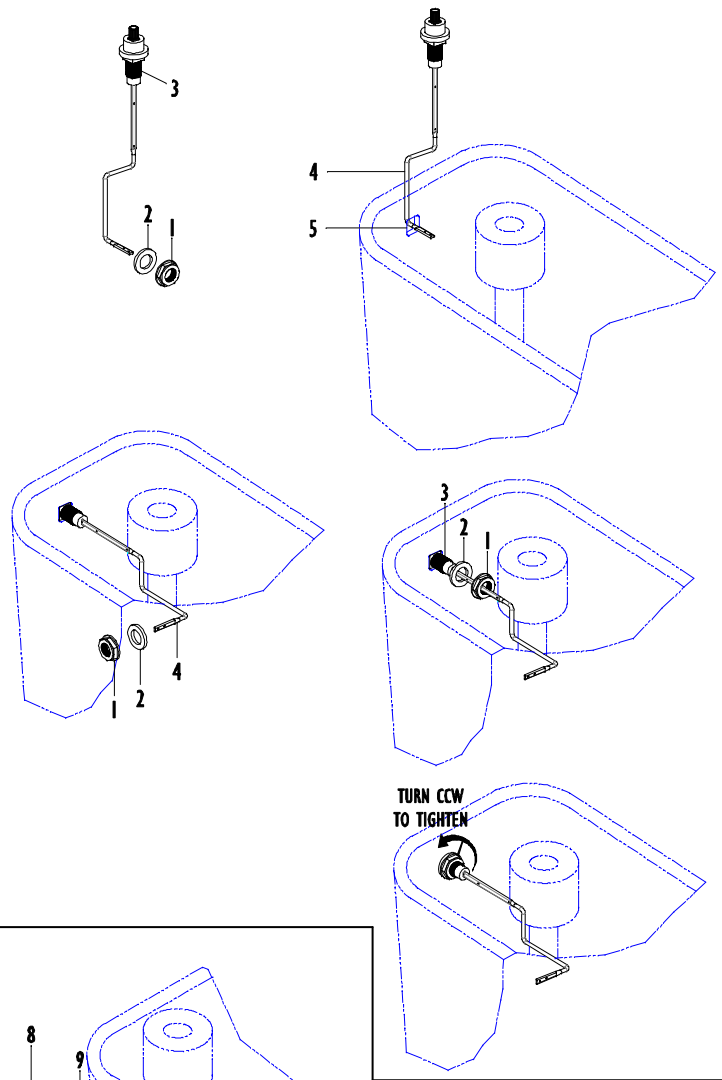


### 3a SIDE LEVER INSTALLATION

- The lever comes assembled in the front/angled installation configuration. To install in side flush toilet tank configuration the lever **MUST** be re-configured as stated below:
- Loosen SETSCREW (12) on BODY (3) using large hex KEY (13) provided
- Remove LEVER (4) from BODY (3) and re-insert other end of LEVER (4) as shown
- Retighten SETSCREW (12) to secure LEVER (4) in place



- Remove NUT (1) and WASHER (2) from lever BODY (3)
- Place LEVER (4) through tank HOLE (5)
- Place WASHER (2) and NUT (1) onto LEVER (4)
- Tighten NUT (1) counter-clockwise (CCW) onto BODY (3)

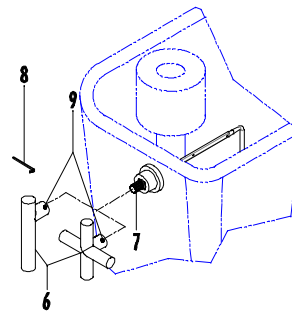


### 3b ATTACHING HANDLE

- Place the HANDLE (6) onto lever STEM (7)
- Based on HANDLE (6) style (lever or cross), orientate HANDLE (6) to desired orientation

**NOTE:** Lever handle is generally vertical and cross may be placed in “X” or “+” orientation

- Using small hex KEY (\*) provided tighten SETSCREW (\*) to secure HANDLE (\*) in place



### 3c ATTACHING CHAIN TO LEVER

- Attach the flapper chain HOOK (10) through one of the end holes on LEVER (4)
- Operate LEVER (4) by rotating HANDLE (6) counter-clockwise (CCW) to lift LEVER (4) and FLAPPER (11)

**NOTE:** Based on style of toilet tank and internal components, it may be necessary to bend LEVER (4) to prevent LEVER (4) from hitting and/or rubbing against components in tank

- Perform several flushing to ensure that FLAPPER (11) operates properly to achieve proper flushing of toilet bowl

