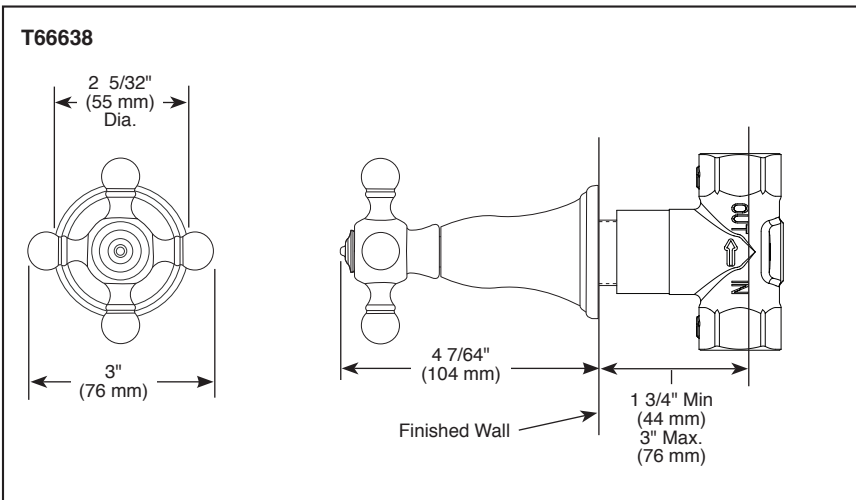
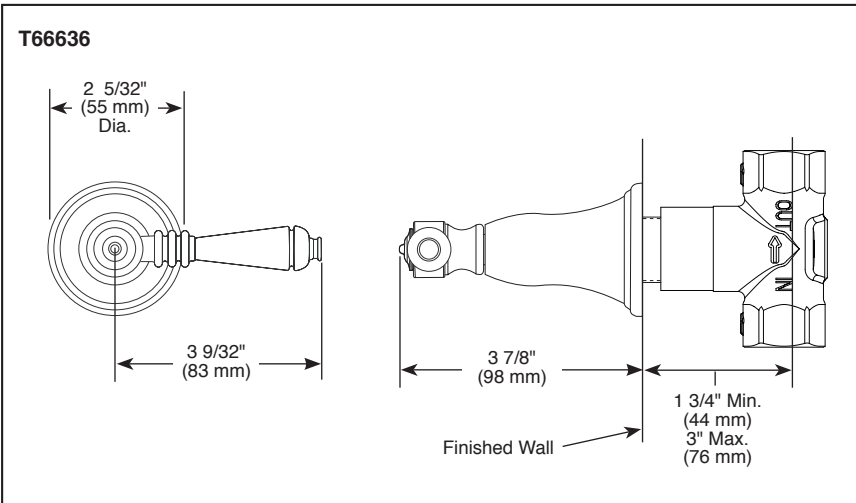


Submitted Model No.: _____

Specific Features: _____



BRIZO[®]

SENSORI[®]

CUSTOM SHOWER TRIM

- Traditional Collection
- Volume Control Trim

STANDARD SPECIFICATIONS

- Must also order R35600 Rough-In.
- 90° handle rotation controls volume only.
- Volume control flows up to 16.2 gpm @ 60 psi
- Maximum flow 8.2 gpm @ 60 psi per volume control when paired with Sensori Thermostatic trim.
- Volume controls are required for every outlet and every set of body sprays (up to max flow).
- All parts are replaceable from the front.
- Adjusts for wall thickness variations.
- Recommended working pressure of 45-80 PSI.
- Volume control only; must be used with temperature control device.
- Rough can accommodate up to 3 1/4" wall thickness. NOTE: some applications may require stem extender RP100304.

WARRANTY

- Lifetime limited warranty on parts (other than electronic parts and batteries) and finishes; or, for commercial users, for 5 years from date of purchase.
- 5 year limited warranty on electronic parts (other than batteries); or, for commercial users, for 1 year from the date of purchase. No warranty is provided on batteries.

COMPLIES WITH:

- ASME A112.18.1 / CSA B125.1
-  Indicates compliance to ICC/ANSI A117.1- Valve control only

Brizo Kitchen & Bath Company reserves the right (1) to make changes in specifications and materials, and (2) to change or discontinue models, both without notice or obligation. Dimensions are for reference only. See current full-line price book or www.brizo.com for finish options and product availability.

BSP-B-T66636 Rev. G

Brizo Kitchen & Bath Company
 55 E 111th Street, Indianapolis, Indiana 46280
 350 South Edgeware Road, St. Thomas, ON N5P 4L1
 © 2018 Brizo Kitchen & Bath Company