

# BOCCHI®

## CAMPINO DUO 33D

UNDERMOUNT/DROP-IN  
60/40 DOUBLE BOWL GRANITE  
KITCHEN SINK



### Product Code

1602-XXX-0126

### FEATURES:

- Granite Composition: 80% natural granite and quartz microparticles, 20% acrylic resin
- Sink is finished on lip and may be installed as an undermount OR drop-in
- Pre-drilled with a center set faucet hole; additional faucet holes are pre-scored from the underside of the sink and may be drilled per installation instructions as needed
- 60/40 split double bowl with low divide
- 3 1/2 inch center drains
- Chrome Strainers included
- Compatible with garbage disposals (not included)

**WEIGHT:** 44 lbs

### AVAILABLE COLORS:

- Matte Black (504)
- Metallic Black (505)
- Concrete Gray (506)

### DIMENSIONS:

#### Nominal Dimensions

33" x 22" x 9.5"

#### Bowl Inside Dimensions

16 3/8" wide (left basin) / 12 3/4" wide (right basin)

19 1/4" long (left basin) / 17 1/8" long (right basin)

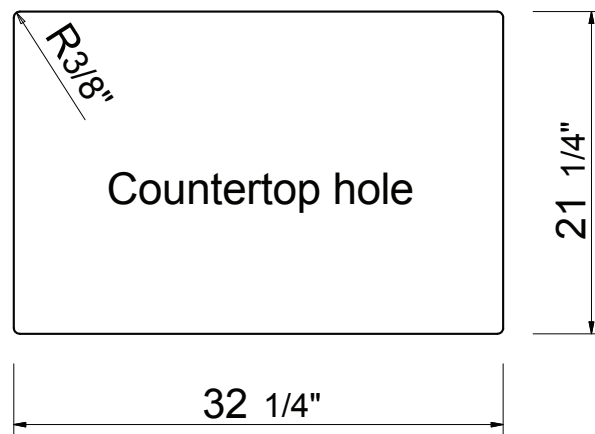
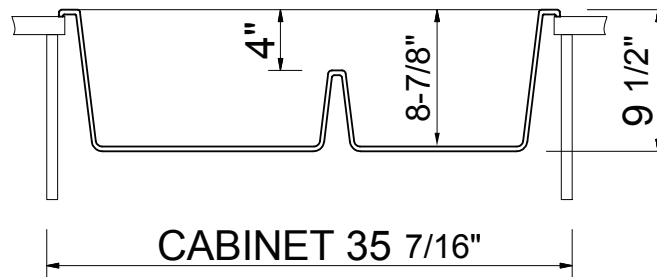
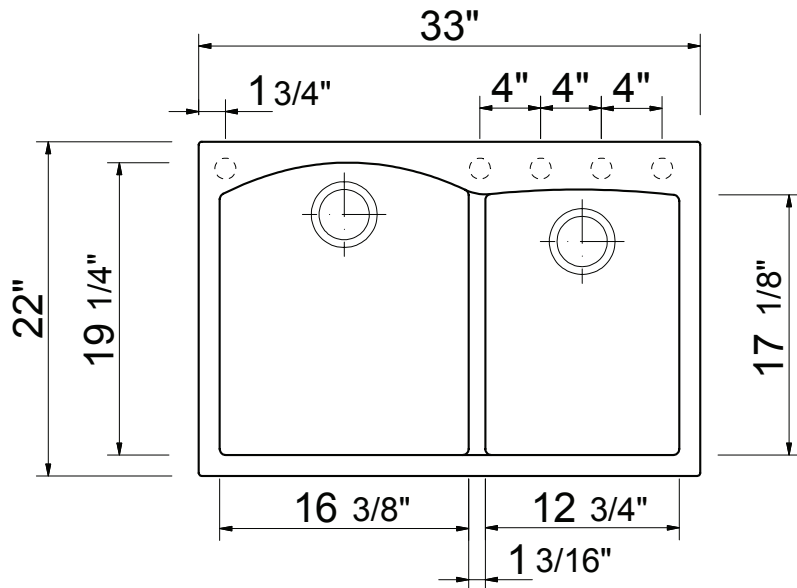
8 7/8" deep (both basins)

### COMPONENTS INCLUDED IN THE BOX:

- 2330 0005 Chrome Strainers (2)
- 1600 0001 Undermount Installation Kit
- 1600 0003 Drop-In Installation Kit
- 1602 Installation Template

### COMPLIANCE CERTIFICATIONS:

Meets or Exceeds ASME A112.19.15 / CSA B45.5 / ANSI Z124.8



**NOTES:** Refer to installation instructions supplied with kitchen sink for undermount, or drop-in installations. Templates and installation kits provided with the sink.

**CAUTION:** Sink is heavy! Installer must provide adequate reinforcement for all load-bearing supports in accordance with installation instructions supplied with kitchen sink. Fittings included with the fixture and must be used as directed.

**IMPORTANT:** Dimensions of fixtures are nominal and may vary within the range of tolerance established by ANSI standards. These measurements are subject to change or cancellation. No responsibility is assumed for use of superseded or voided pages.