

# BARiL

Fiche Technique / Spec Sheet

## B45-8120-04L-xx

STYLE × FONCTION

### Description

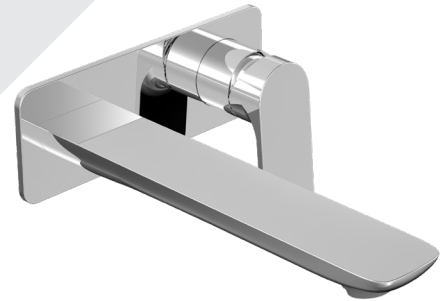
- Robinet de lavabo mural monocommande, renvoi non inclus
- Single lever wall-mounted lavatory faucet, drain not included

### Cartouche / Cartridge

- CAR-1025-09

### Finis disponibles / Available finishes

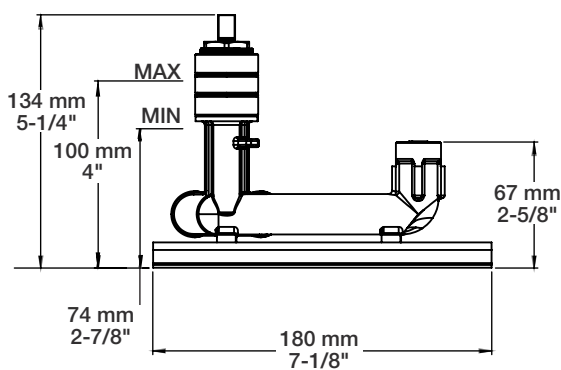
- CC: Chrome / Chrome
- NN: Nickel brossé / Brushed Nickel
- KK: Noir mat / Matte Black
- \*\*: Fini spécial / Special finish
- GG: Or / Gold



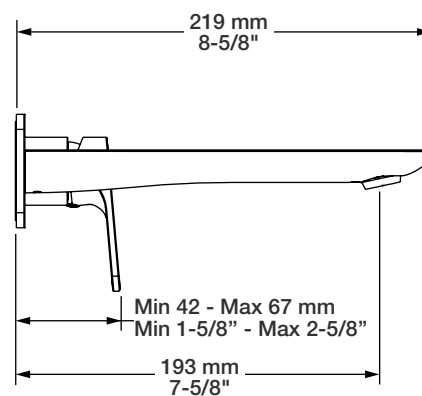
### Débit / Flow rate (pour option écologiques / for eco friendly options)

B45-8120-04L-xx	B45-8120-04L-xx-120	B45-8120-04L-xx-100	B45-8120-04L-xx-050
- 5,7 l/min - 60 psi - 1.5 gpm - 60 psi	- 4,5 l/min - 60 psi - 1.2 gpm - 60 psi	- 3,7 l/min - 60 psi - 1.0 gpm - 60 psi	- 1,9 l/min - 60 psi - 0.5 gpm - 60 psi

### Inclus / Included



ROU-8100-04-B



T45-8120-04L-xx

