

**24" ACANTHA SINGLE
BOWL FARMER SINK**

Cat. No
FSGSB4028



Features:

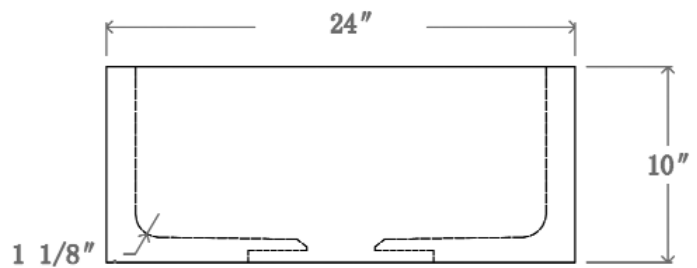
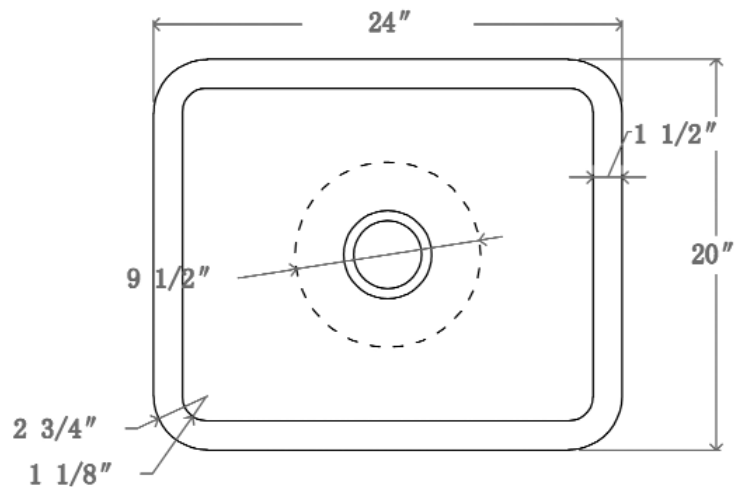
- ▶ Crafted from natural, hand-carved granite
- ▶ Easy to clean
- ▶ Each individual stone sink is unique and varies
- ▶ Standard 3-1/2" drain opening fits most drains and disposals
- ▶ We recommend sealing with StoneTech sealer before use
- ▶ **UMSPT** sold separately
- ▶ No faucet holes
- ▶ Flange extension required

Finish

GPBL Polished Black Granite

W: 24"
D: 20"
H: 10"

***Please do NOT cut hole without
template or actual product.**



Interior Dimensions:

Basin Interior: 21" W x 17" D
Basin Depth: 8-1/2"

Dimensions of fixture are nominal and may vary slightly. Dimensions and specifications subject to change without notice.