

# TONIQUE 550 WALL HUNG BASIN

Cat. No.  
4-203X



Faucet Not Included

W: 21-3/4"  
D: 17-3/4"  
H: 7"

Water depth 3" to overflow

## Interior Dimensions:

Basin interior:	18-1/2" L X 12" W
Basin depth:	5-1/4"
Mount holes cc:	11"
Back of basin to center of faucet:	2-1/4"
Back of basin to center of drain:	8-1/4"
Faucet hole diameter:	1-3/8"

## Features:

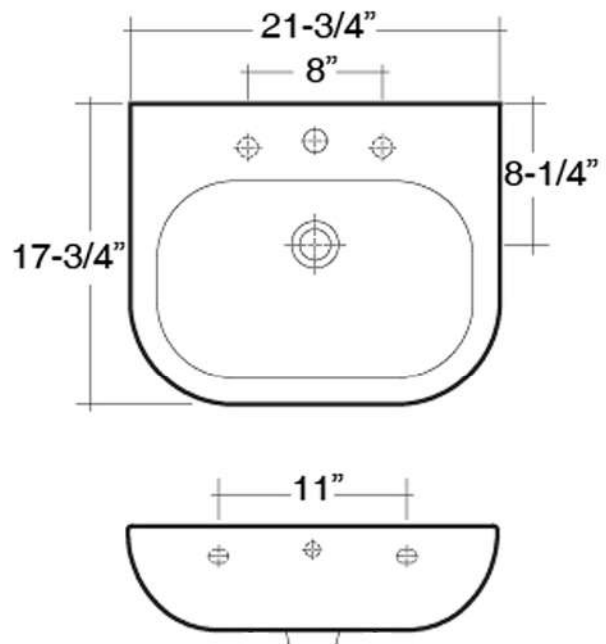
- ▶ Made of Vitreous China
- ▶ Available for 1 hole (4-2031), 4" centerset (4-2034), and 8" widespread (4-2038)
- ▶ Pre-drilled overflow hole
- ▶ Mounting Hardware included
- ▶ For ease installation order Hangers (pair) or Bracket (one)



**Colors:**  
WH White

### **Compliance Certification**

Meets or exceeds the following specifications: ASME A112.19.2 2018 and CSA B45.1-18 for plumbing fixtures.



Dimensions of fixture are nominal and may vary within the range of tolerances established by ASME Standard A112.19.2-2018. Dimensions and specifications subject to change without notice.