

Brand	AXOR
Art. Name	<b>AXOR One</b> Thermostat Module 1-Function
Art. Nr.	45711821
Surface	brushed nickel
Pos.	1

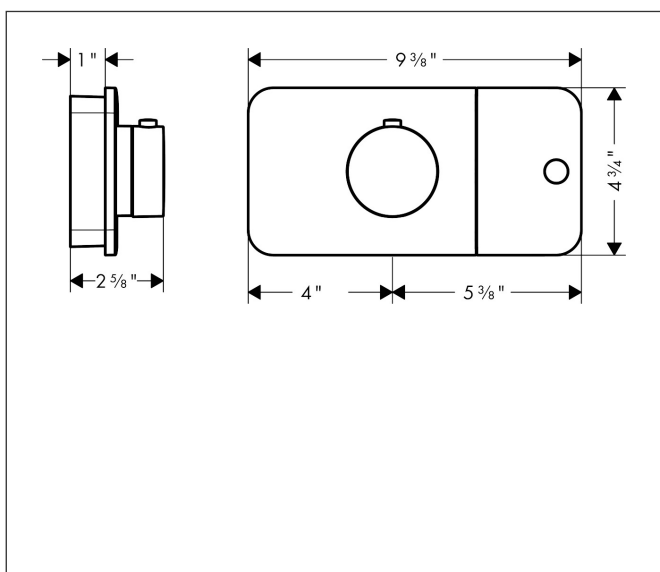
## Product Picture



## Features

- comfortable turning on / off of consumers with large Select-paddle
- Thermostatic cartridge, Start/stop cartridge, 90° ceramic valves
- Anti-scald 100° safety stop
- Thermostat is delivered with button hand shower
- finish set, mixing unit

## Drawing



## Technology



## Codes / Standards

- cUPC/IAPMO/3016/ cUPC Mark