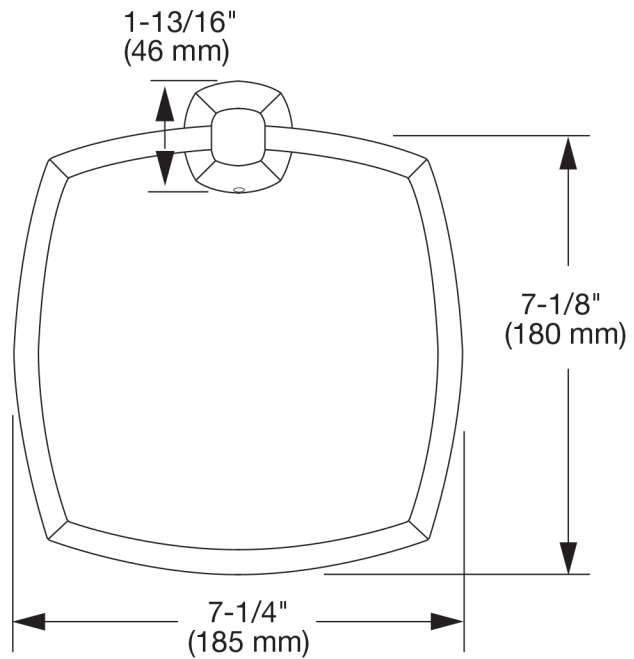
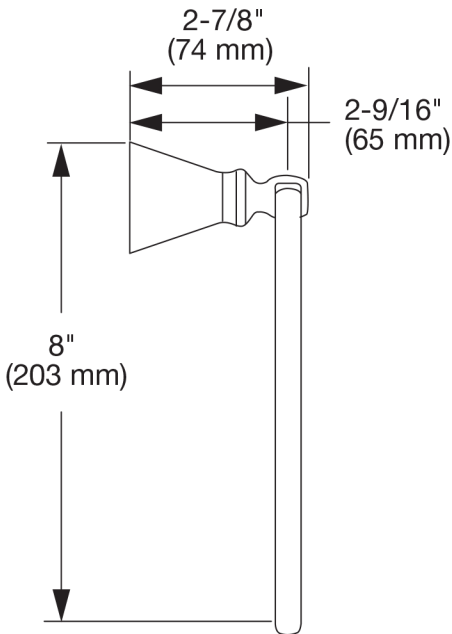
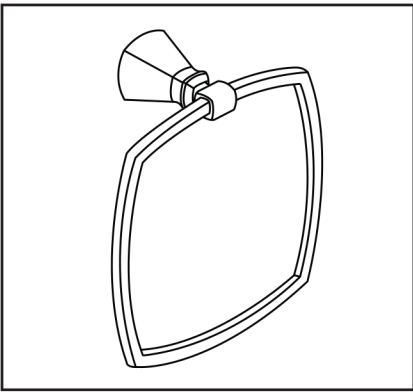


MODEL NUMBER:

□ 7018.190 Towel Ring.

Available Finishes

002	Polished Chrome
278	Legacy Bronze
295	Brushed Nickel



PRODUCT FEATURES:

Materials of Construction:

- Metal construction for durability and long life.
- Bushing on towel ring to prevent scratching and squeaking.

**Concealed Mounting:** No exposed set screws.

**Easy to Install:** Template included for mounting.

SUGGESTED SPECIFICATION:

Towel Ring shall feature metal construction. Shall feature concealed mounting with no exposed set screws. Towel Ring shall be American Standard Model # 71018.190.\_\_\_\_\_.