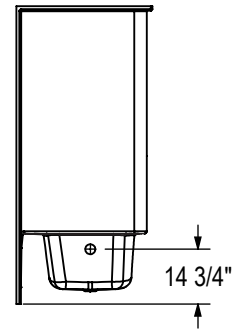
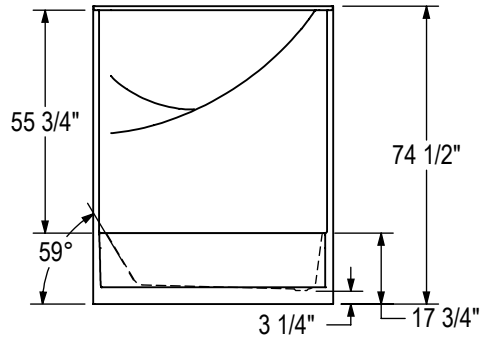
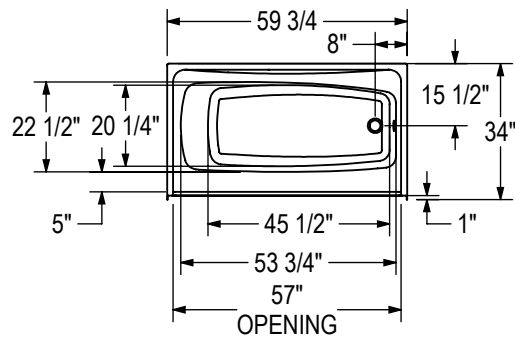
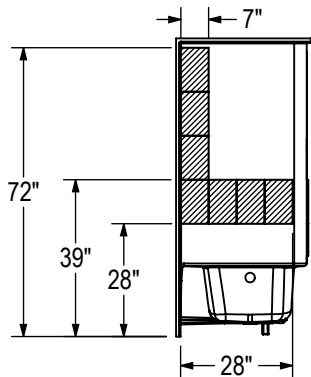


BASE MODEL  
 RIGHT HAND UNIT SHOWN  
 LEFT HAND UNIT MIRROR

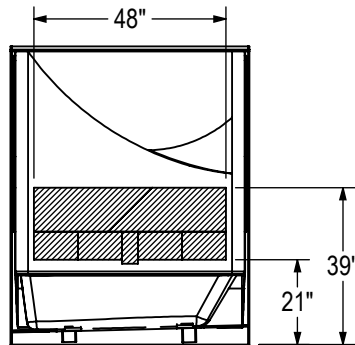


REINFORCEMENT BACKING

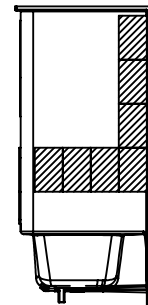
LEFT WALL  
 REINFORCEMENT SYMMETRICAL



BACK WALL



RIGHT WALL



All dimensions are approximate. Structure measurements must be verified against the unit to ensure proper fit.