

TECHNICAL SPECIFICATIONS

OPTS-6032 - With ADA Grab Bars

MODEL NUMBER 141310

DIMENSIONS: 57" x 31 1/2" x 69 3/4" Gelcoat



STANDARD FEATURES

- 1-piece tub shower reinforced according to FHA accessibility requirements
- 4" x 24" horizontal straight grab bars
- Right-hand or left-hand drain
- Textured bottom
- Above-the-Floor Rough

UNIQUE FEATURES

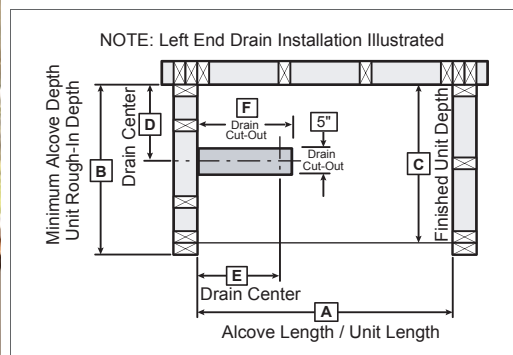
- Above-the-Floor Rough (AFR)

OPTIONS

- 56" Curtain rod (factory installed)
- 72 in. White vinyl shower curtain with Stainless Steel hooks
- Chrome recessed soap dish (drilled, not installed)

SYSTEMS

- None



Model	A	B	C	D	E	F
141309	59 3/4	34	33	15 1/2	8	10 1/2

Project :

Contractor :

AKER Representative : Tel :

Date :

CERTIFICATIONS

AKER products adhere to one or more of the following certifications:



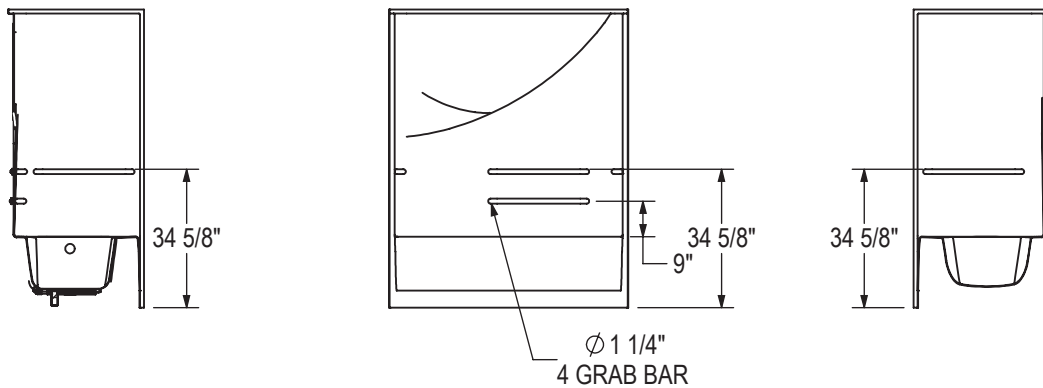
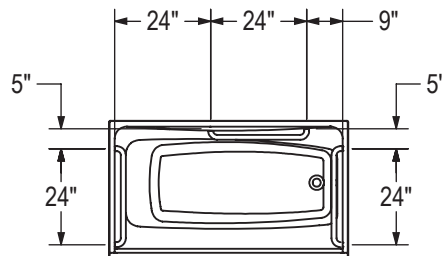
TECHNICAL SPECIFICATIONS

OPTS-6032 - With ADA Grab Bars

MODEL NUMBER 141310

TECHNICAL DRAWINGS

BASE MODEL WITH ADA GRAB BAR PACKAGE
RIGHT SIDE SHOWN
LEFT SIDE SYMMETRICAL



All dimensions are approximate. Structure measurements must be verified against the unit to ensure proper fit.