

TECHNICAL SPECIFICATIONS

OPS-6036 - with ADA/ANSI Grab Bar

MODEL NUMBER 141295

DIMENSIONS: 60" x 36" x 76 5/8" Gelcoat



STANDARD FEATURES

- 1-piece roll-in shower reinforced according to FHA accessibility requirements
- One horizontal L-shaped (33" x 37") grab bar
- Center drain
- Textured bottom
- 1 1/8" skirt and 1/2" high threshold

UNIQUE FEATURES

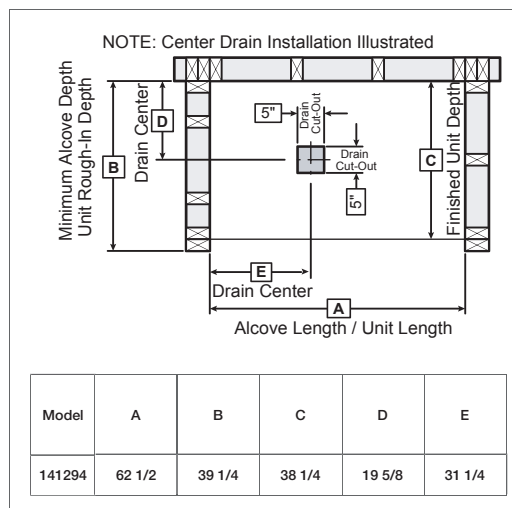
- None

OPTIONS

- 72 in. White vinyl shower curtain with Stainless Steel hooks
- Chrome recessed soap dish (drilled, not installed)
- Solid Brass drain with Chrome plated Stainless Steel grid
- 60" Curtain rod

SYSTEMS

- None



Project :

Contractor :

AKER Representative : Tel :

Date :

CERTIFICATIONS

AKER products adhere to one or more of the following certifications:



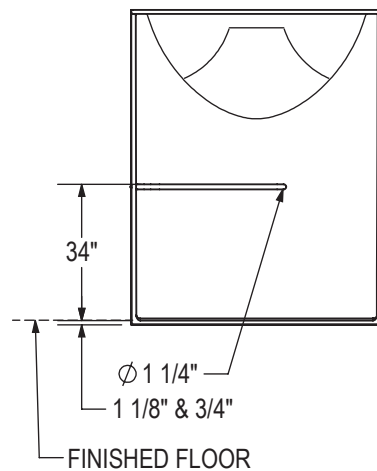
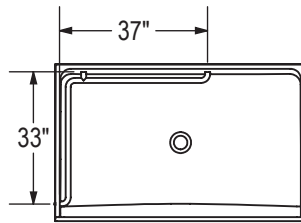
TECHNICAL SPECIFICATIONS

OPS-6036 - with ADA/ANSI Grab Bar

MODEL NUMBER 141295

TECHNICAL DRAWINGS

BASE MODEL WITH ADA/ANSI L-SHAPED GRAB BAR PACKAGE
LEFT SIDE SHOWN
RIGHT SIDE SYMMETRICAL



All dimensions are approximate. Structure measurements must be verified against the unit to ensure proper fit.