

TECHNICAL SPECIFICATIONS

OPTS-6032 - Base Model

MODEL NUMBER 141309

DIMENSIONS: 57" x 31 1/2" x 69 3/4" Gelcoat



STANDARD FEATURES

- One-piece tub shower reinforced according to FHA accessibility requirements
- Configurable to be compliant with major accessibility codes when properly installed
- Right-hand or left-hand drain
- Textured bottom
- Above-the-Floor Rough available

UNIQUE FEATURES

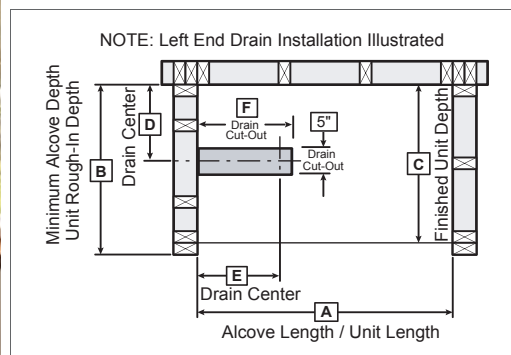
- Above-the-Floor Rough (AFR)

OPTIONS

- 56" Curtain rod (factory installed)
- Chrome recessed soap dish (drilled, not installed)
- 72 in. White vinyl shower curtain with Stainless Steel hooks

SYSTEMS

- None



Model	A	B	C	D	E	F
141309	59 3/4	34	33	15 1/2	8	10 1/2

Project :

Contractor :

AKER Representative : Tel :

Date :

CERTIFICATIONS

AKER products adhere to one or more of the following certifications:



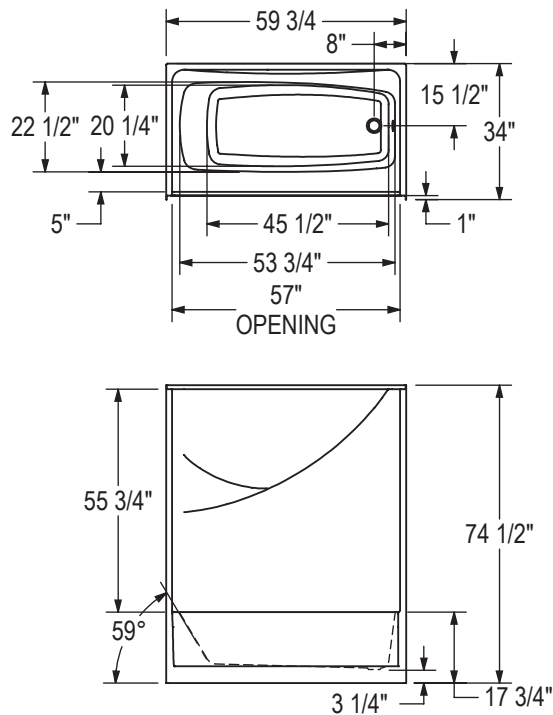
TECHNICAL SPECIFICATIONS

OPTS-6032 - Base Model

MODEL NUMBER 141309

TECHNICAL DRAWINGS

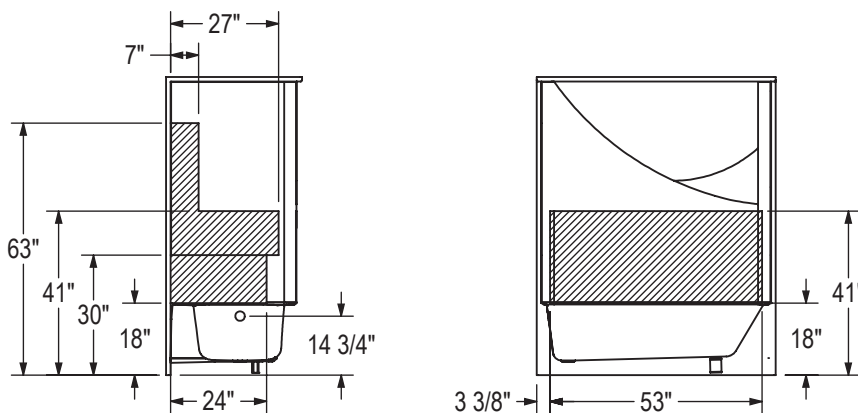
BASE MODEL
RIGHT SIDE SHOWN
LEFT SIDE SYMMETRICAL



REINFORCEMENT BACKING

RIGHT WALL SHOWN
LEFT WALL SYMMETRICAL

BACK WALL



All dimensions are approximate. Structure measurements must be verified against the unit to ensure proper fit.