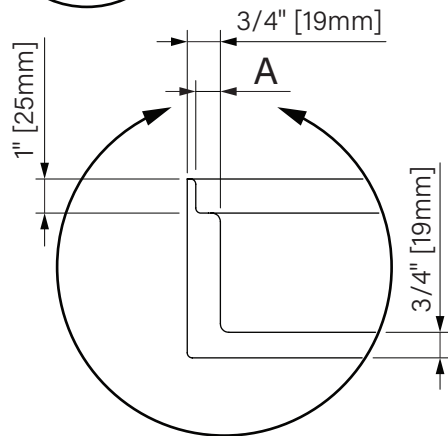
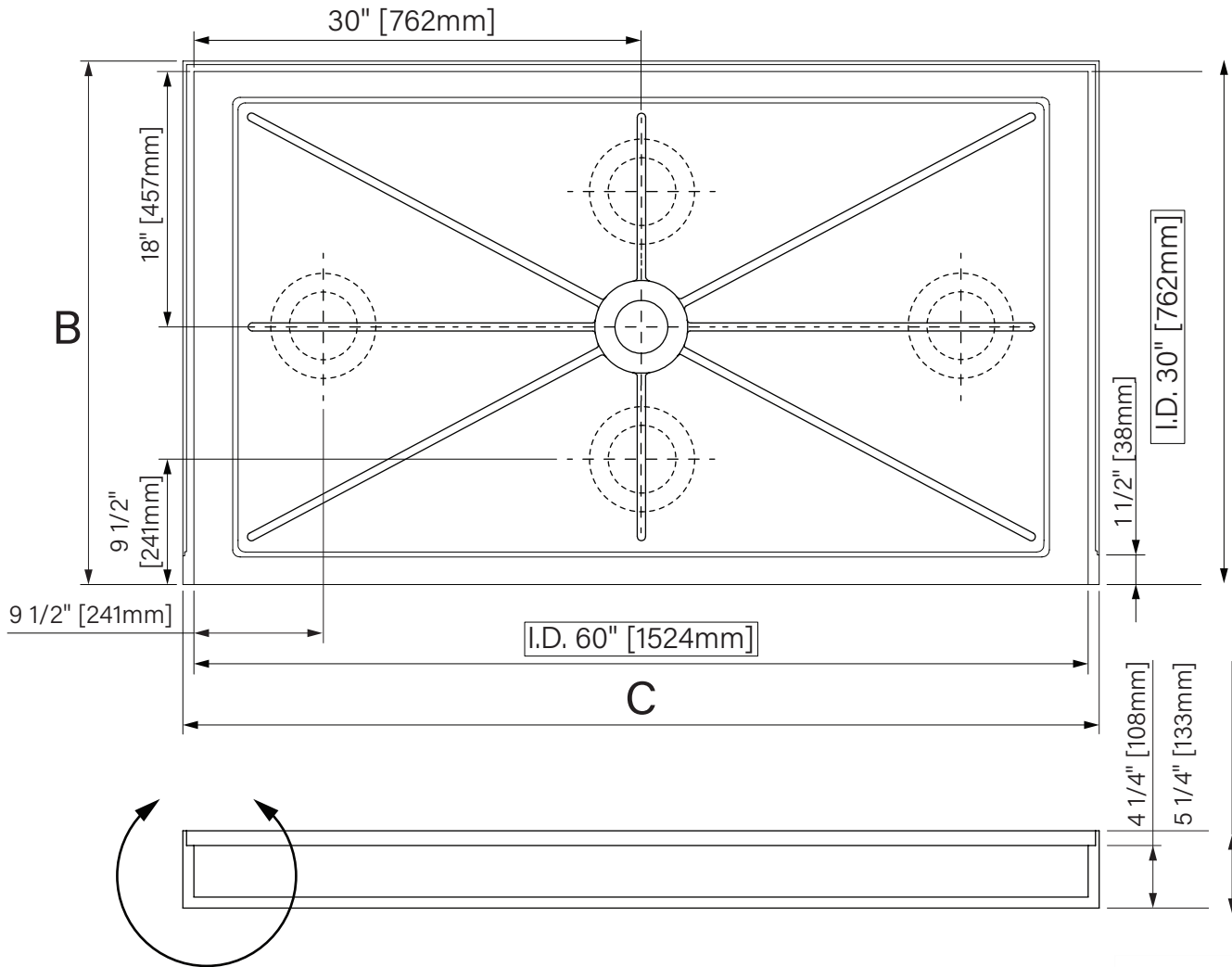


Base ADA 6030

Base de douche personnalisable
Largeur du rebord et emplacement du drain

Customizable shower base
Flange width and drain location

I.D. = 60" x 30"
ANSI 117.1
ANSI Z 124.2
ADA Compliant Fixture



Variable dimensions
Dimensions variables

A	1/2" 13mm	3/4" 19mm	1" 25mm	1 1/4" 32mm
B	30 3/4" 781mm	31" 787mm	31 1/4" 794mm	31 1/2" 800mm
C	61 1/2" 1562mm	62" 1575mm	62 1/2" 1588mm	63" 1600mm

ADA 
Americans with
Disabilities Act



Intertek

The dimensions are subject to manufacturer's tolerance and may change without notice.
Les dimensions sont soumises à des tolérances de fabrication et peuvent changer sans préavis.

Acryline!!!

www.acryline.ca